

# PROJECT



ARTEZIA EUROPEAN CABINERY | DESIGN STUDIO

# TABLE OF CONTENTS

- 01 3D Renderings
- 02 Plans & Elevations
- 03 Technical Drawings
- 04 Cabinetry Order
- 05 Appliances
- 06 Counters & Splash
- 07 Plumbing Fixtures
- 08 Other Materials
- 09 Care & Maintenance

01

# 3D RENDERINGS

# KITCHEN RENDERINGS







# OFFICE RENDERINGS

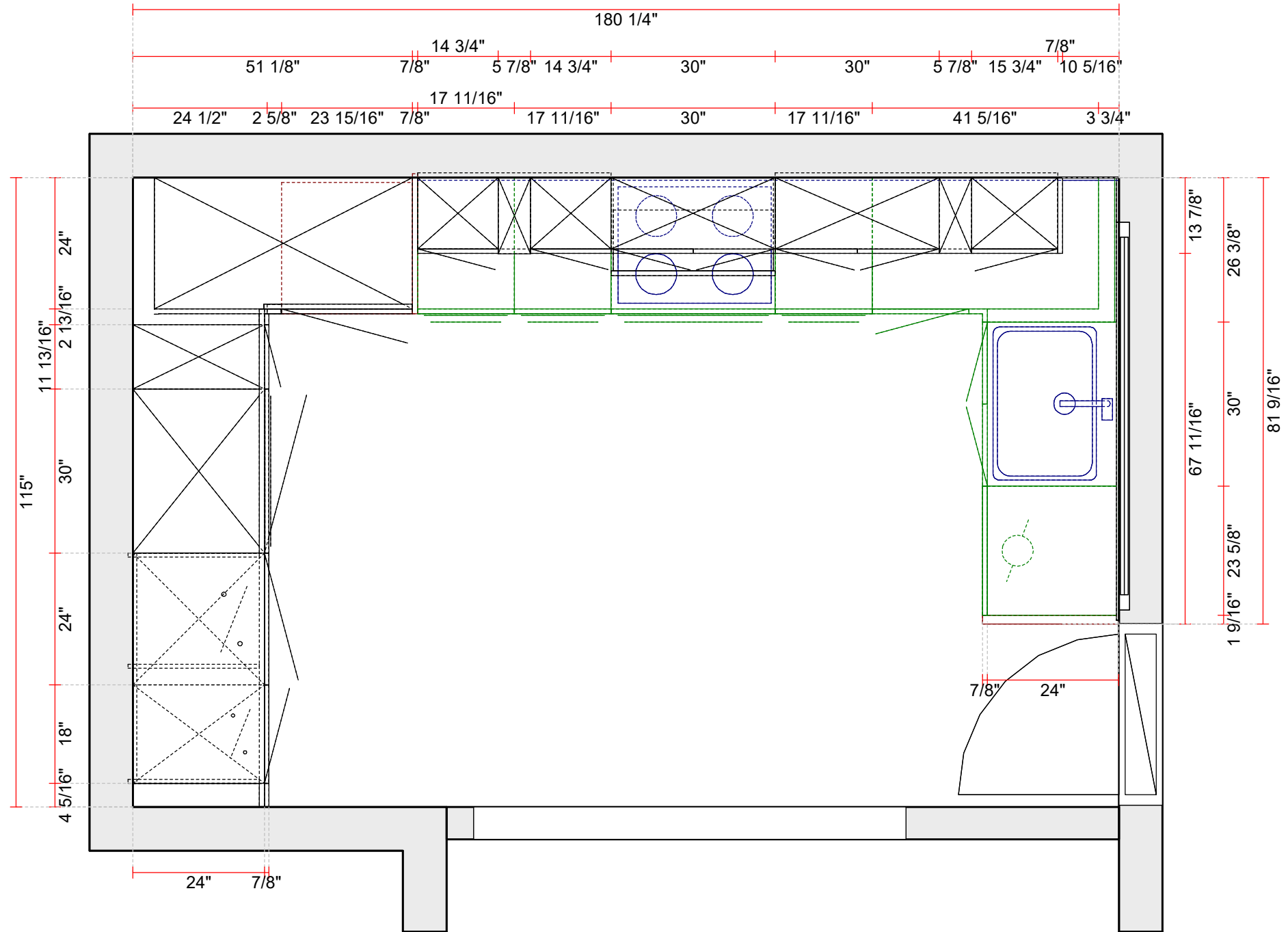




02

# PLANS & ELEVATIONS

# KITCHEN PLAN SET



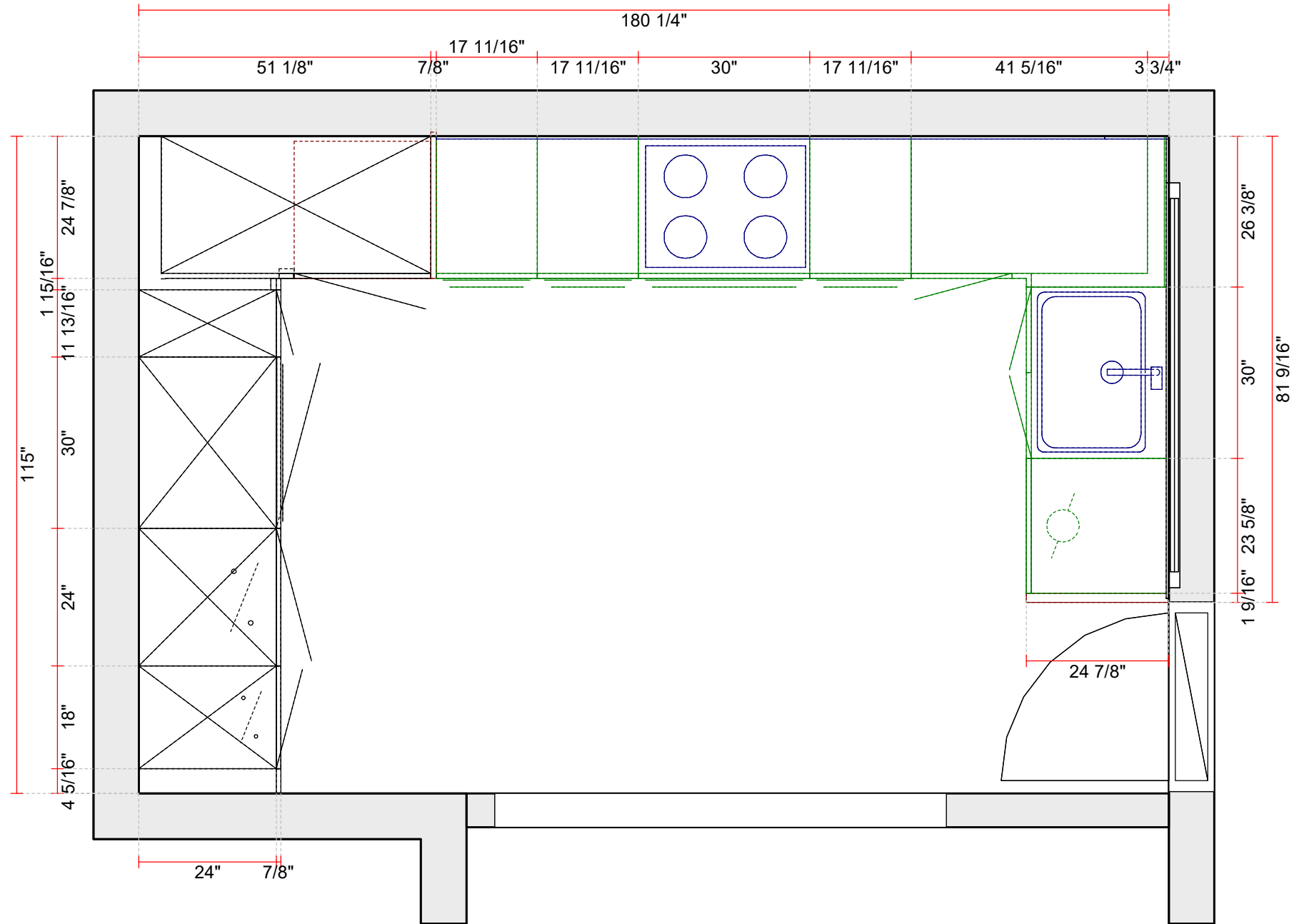
KITCHEN FLOOR PLAN (IMPERIAL)

Scale: 1/2" = 1'-0" (Tabloid)



ARTEZIA Design Studio  
 10 Arkansas Street  
 Suite A  
 San Francisco 94107

Telephone: 415 770 1013  
 E-Mail: info@artezia.com



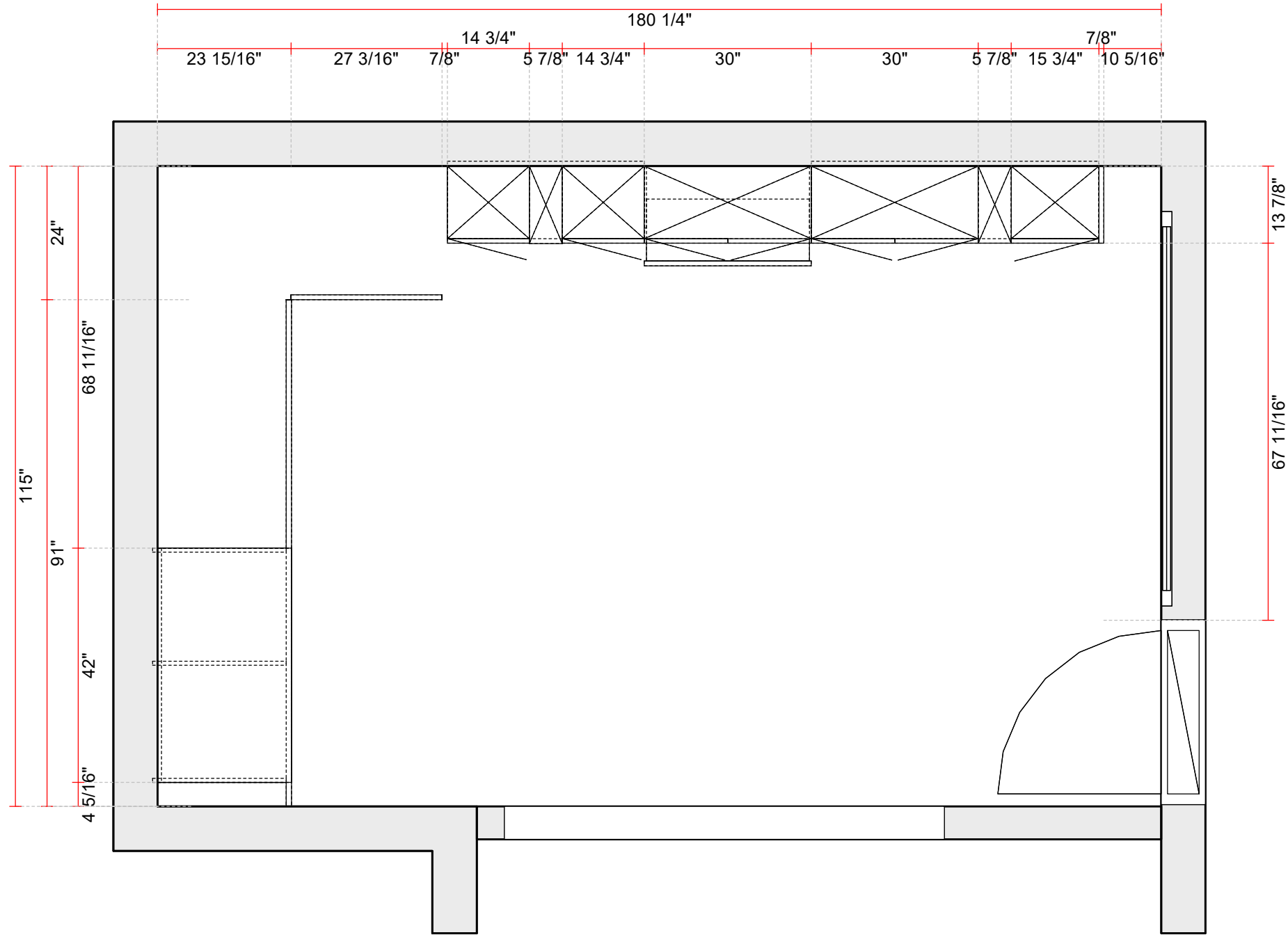
BASE CABINET LAYOUT (IMPERIAL)

Scale: 1/2" = 1'-0" (Tabloid)



ARTEZIA Design Studio  
 10 Arkansas Street  
 Suite A  
 San Francisco 94107

Telephone: 415 770 1013  
 E-Mail: info@artezia.com



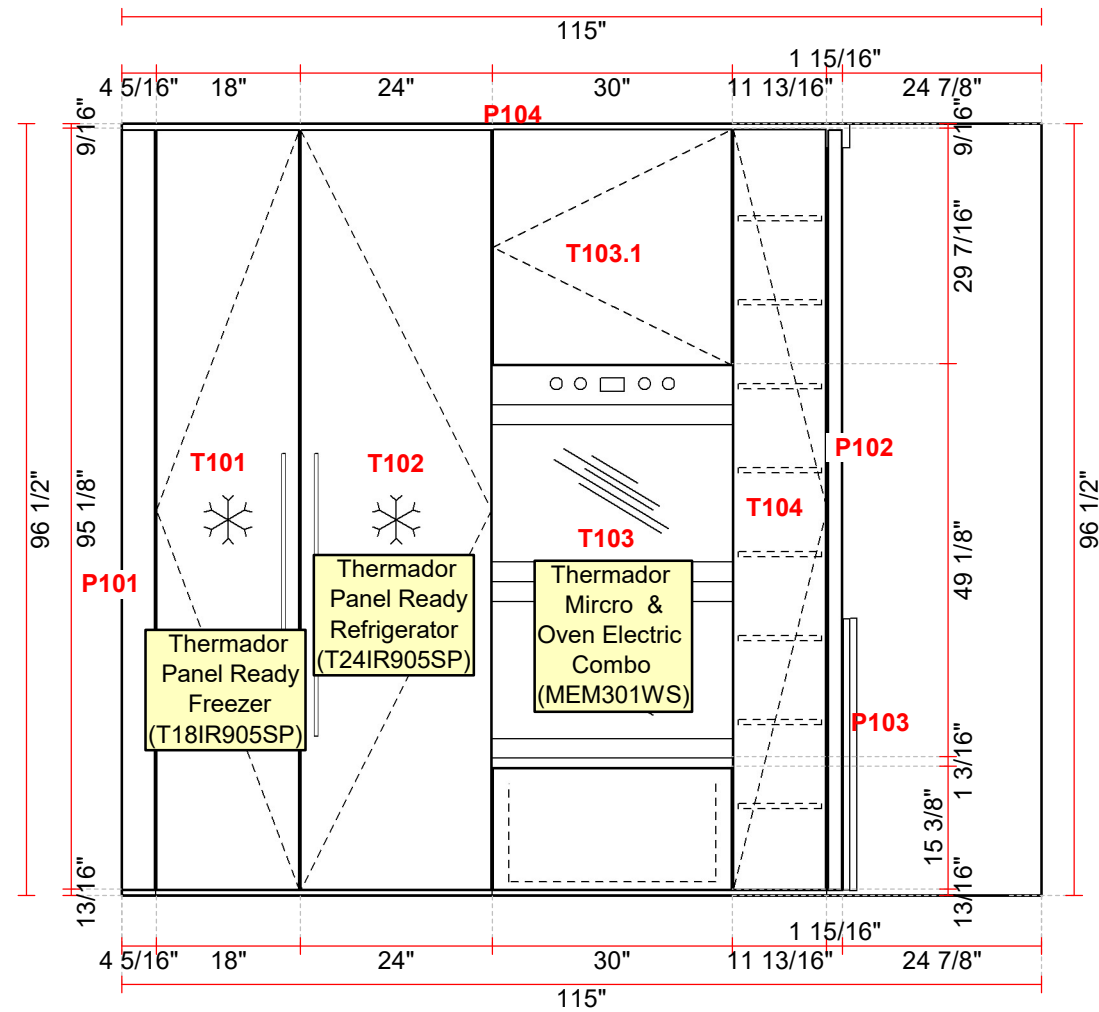
WALL CABINET LAYOUT (IMPERIAL)

Scale: 1/2" = 1'-0" (Tabloid)



ARTEZIA Design Studio  
 10 Arkansas Street  
 Suite A  
 San Francisco 94107

Telephone: 415 770 1013  
 E-Mail: info@artezia.com



EAST WALL ELEVATION (IMPERIAL)

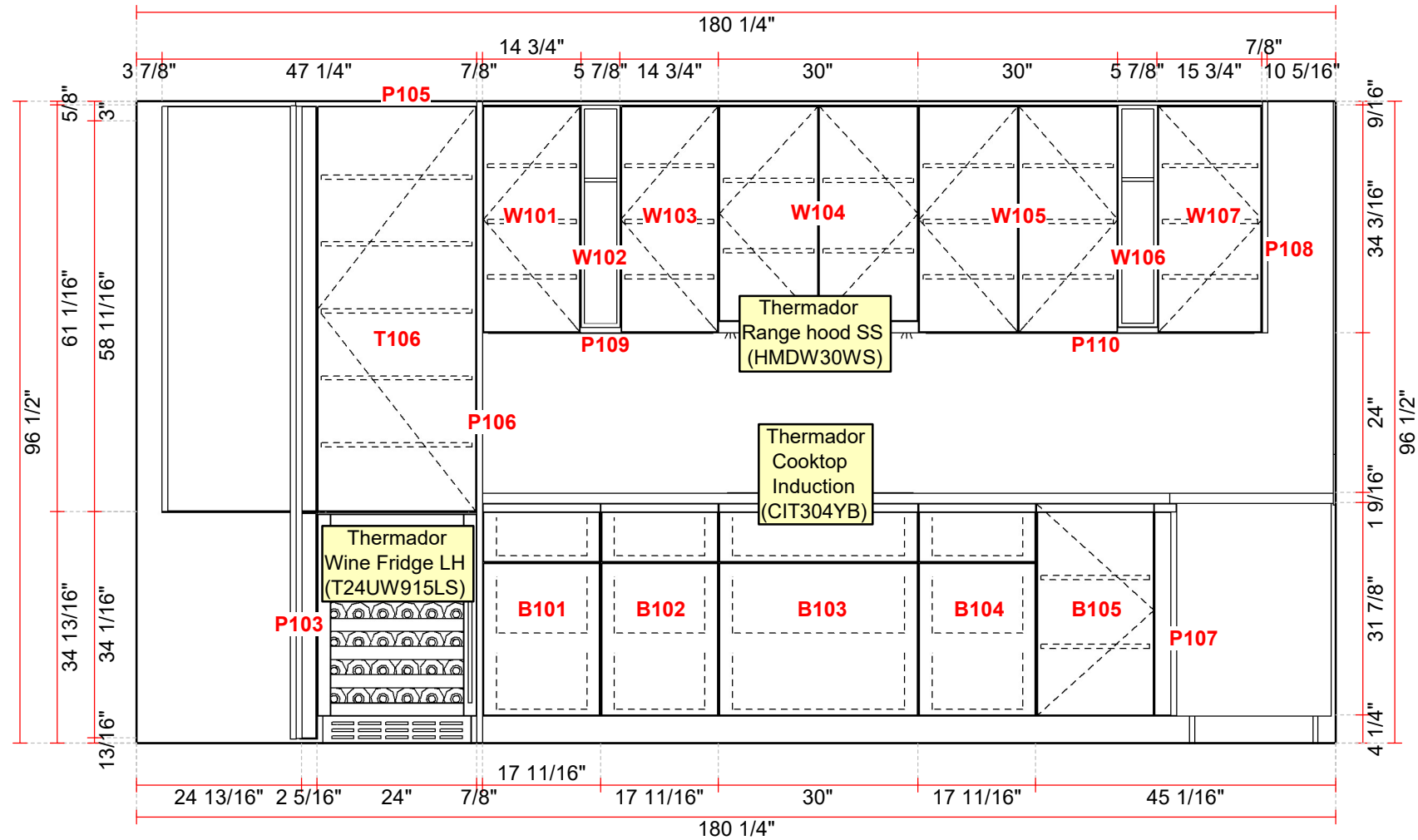
All measures are taken from the completed floor height

Scale: 1/2" = 1'-0" (Tabloid)



ARTEZIA Design Studio  
 10 Arkansas Street  
 Suite A  
 San Francisco 94107

Telephone: 415 770 1013  
 E-Mail: info@artezia.com



### SOUTH WALL ELEVATION (IMPERIAL)

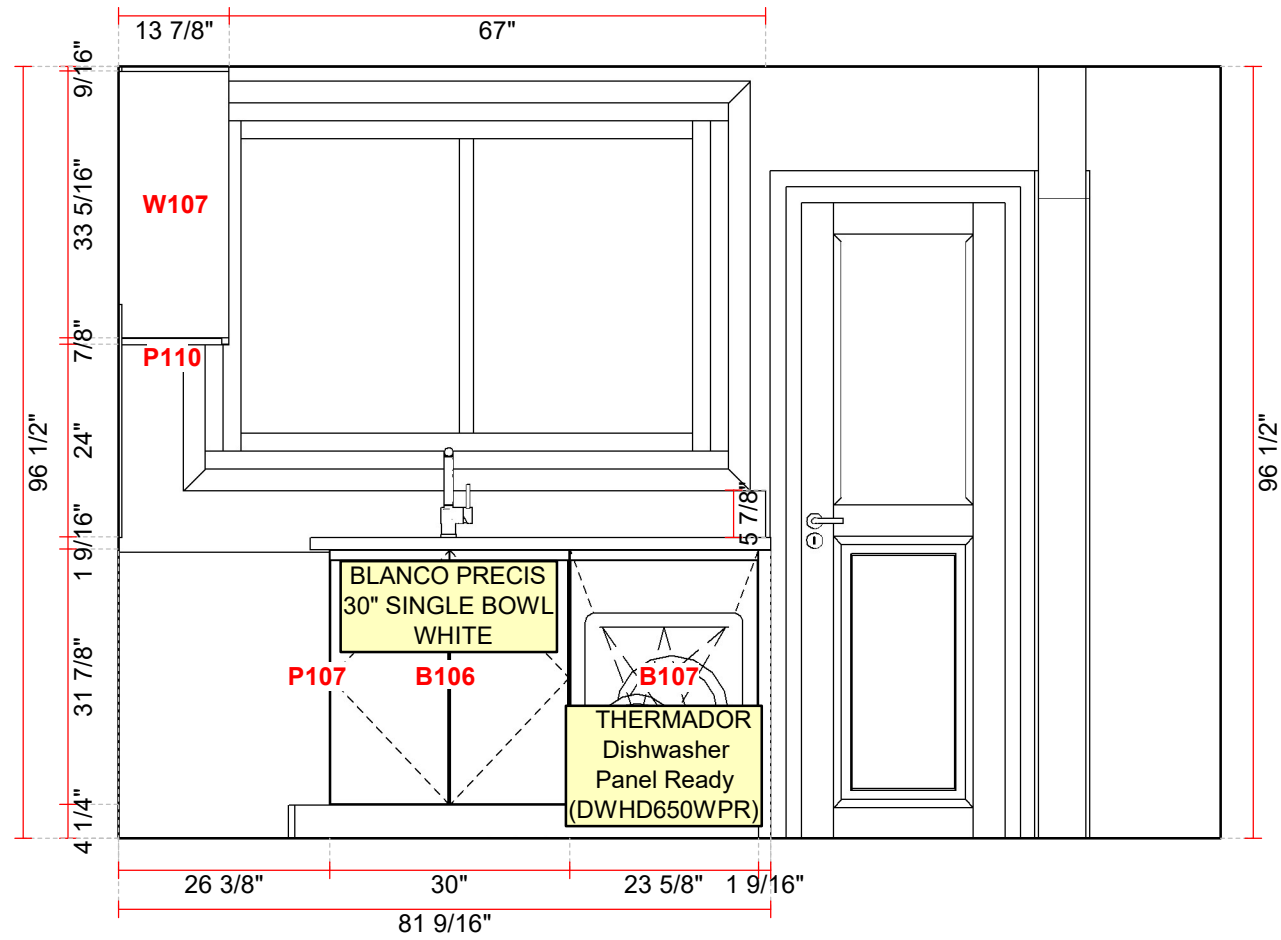
All measures are taken from the completed floor height

Scale: 1/2" = 1'-0" (Tabloid)



ARTEZIA Design Studio  
 10 Arkansas Street  
 Suite A  
 San Francisco 94107  
 Telephone: 415 770 1013  
 E-Mail: info@artezia.com





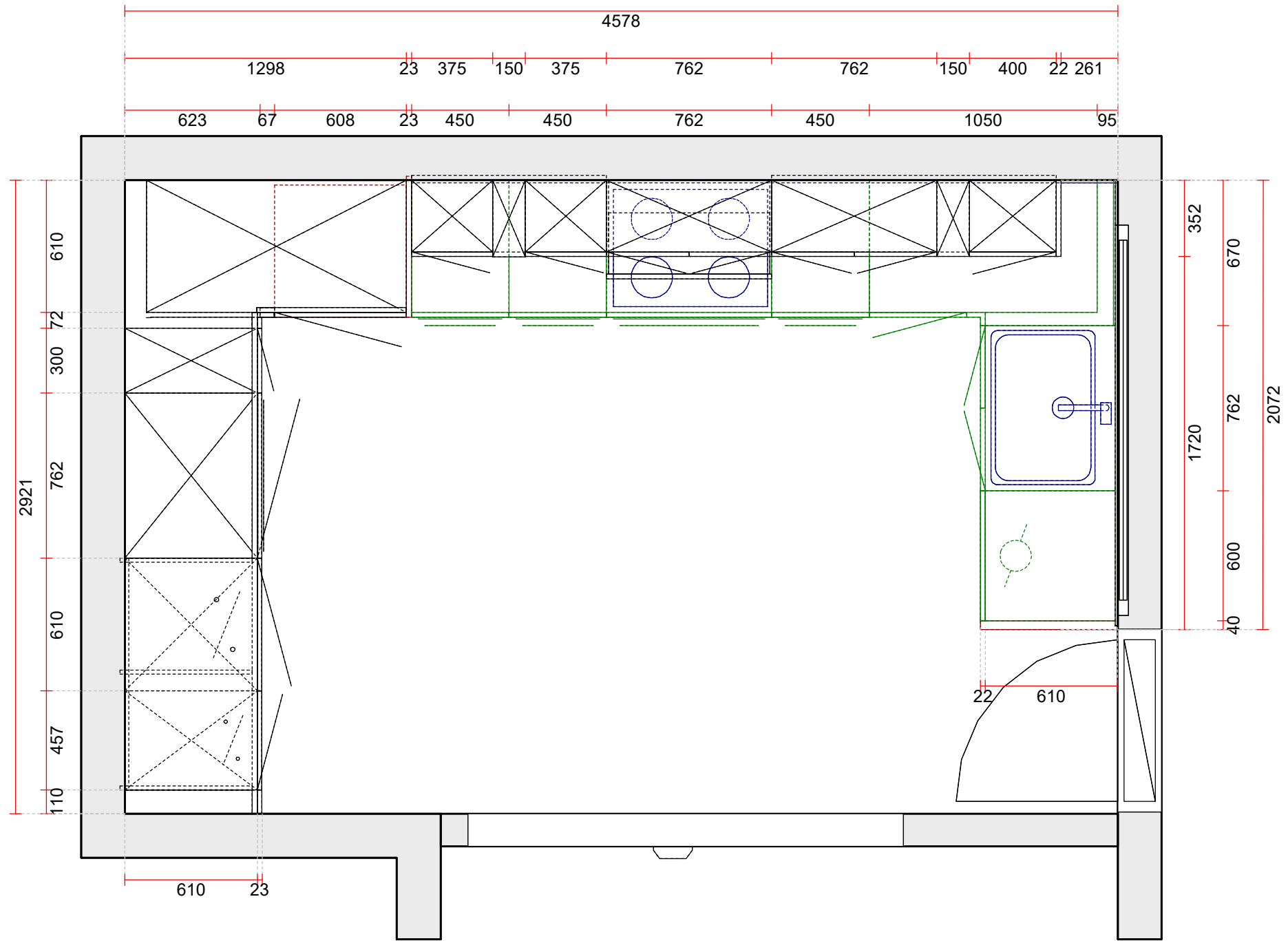
WEST WALL ELEVATION (IMPERIAL)

All measures are taken from the completed floor height

Scale: 1/2" = 1'-0" (Tabloid)



ARTEZIA Design Studio  
 10 Arkansas Street  
 Suite A  
 San Francisco 94107  
 Telephone: 415 770 1013  
 E-Mail: info@artezia.com



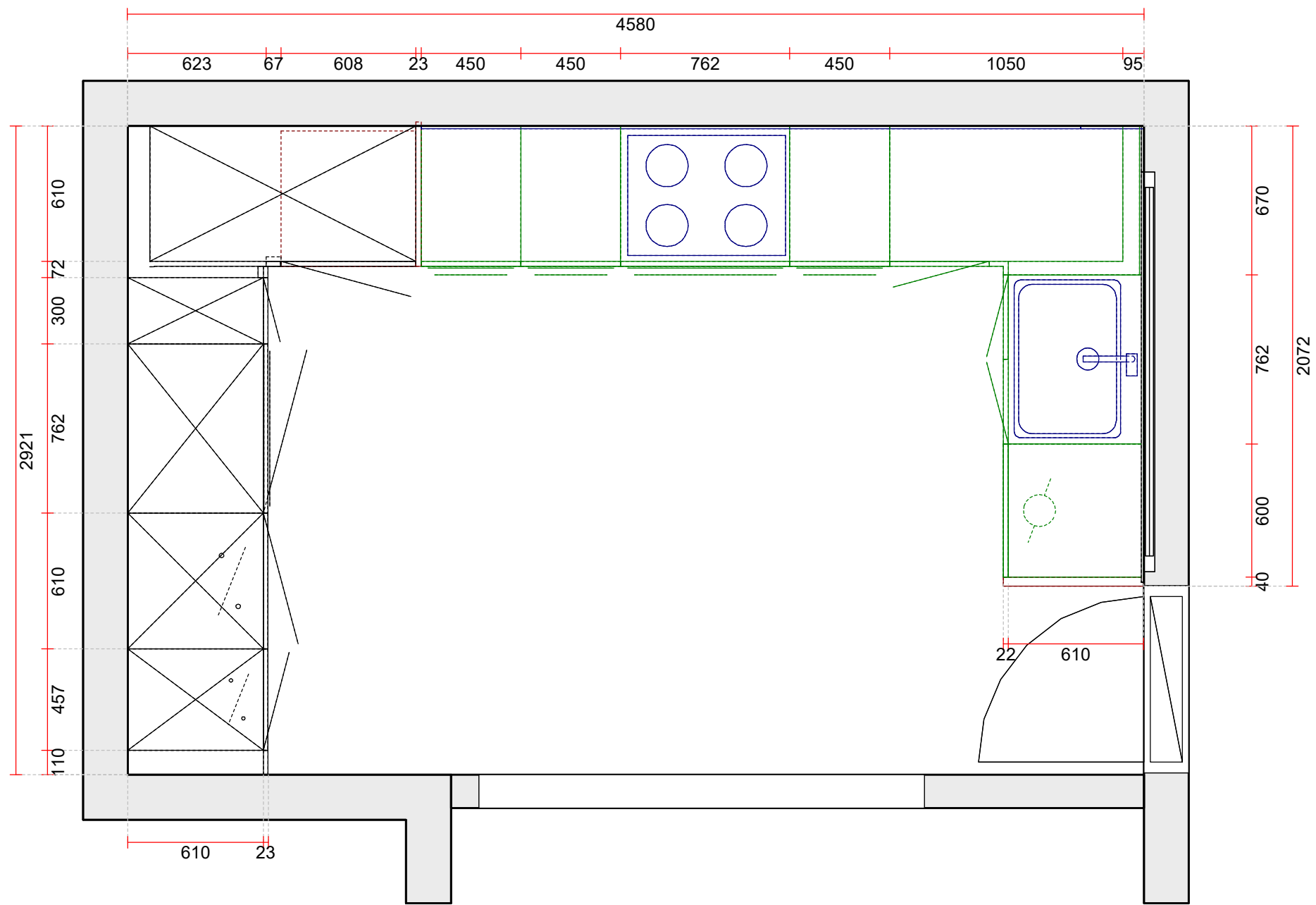
KITCHEN FLOOR PLAN (METRIC)

Scale: 1:24 (Tabloid)



ARTEZIA Design Studio  
 10 Arkansas Street  
 Suite A  
 San Francisco 94107

Telephone: 415 770 1013  
 E-Mail: info@artezia.com



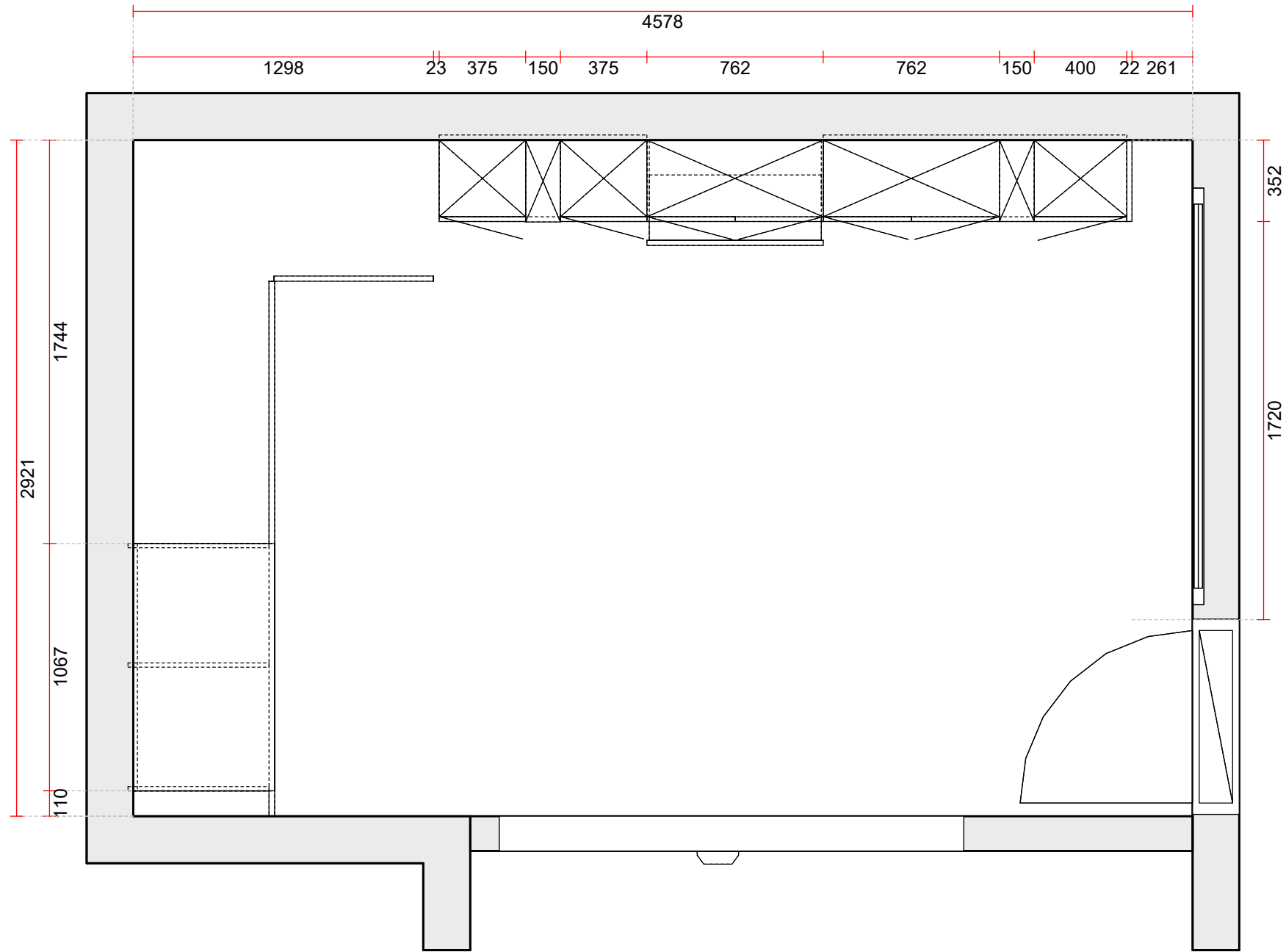
BASE CABINET LAYOUT (METRIC)

Scale: 1:24 (Tabloid)



ARTEZIA Design Studio  
 10 Arkansas Street  
 Suite A  
 San Francisco 94107

Telephone: 415 770 1013  
 E-Mail: info@artezia.com



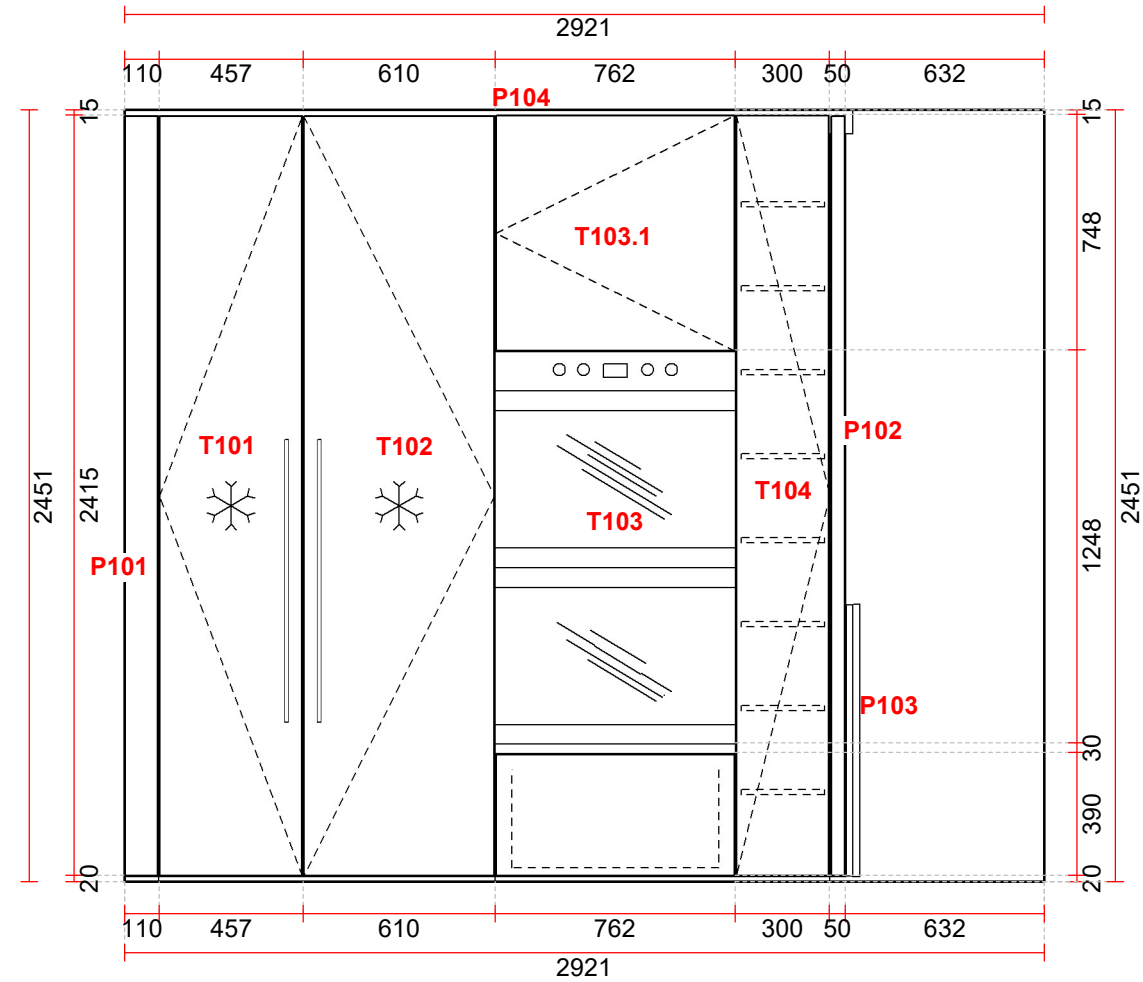
WALL CABINET LAYOUT (METRIC)

Scale: 1:24 (Tabloid)



ARTEZIA Design Studio  
 10 Arkansas Street  
 Suite A  
 San Francisco 94107

Telephone: 415 770 1013  
 E-Mail: info@artezia.com



EAST WALL ELEVATION (METRIC)

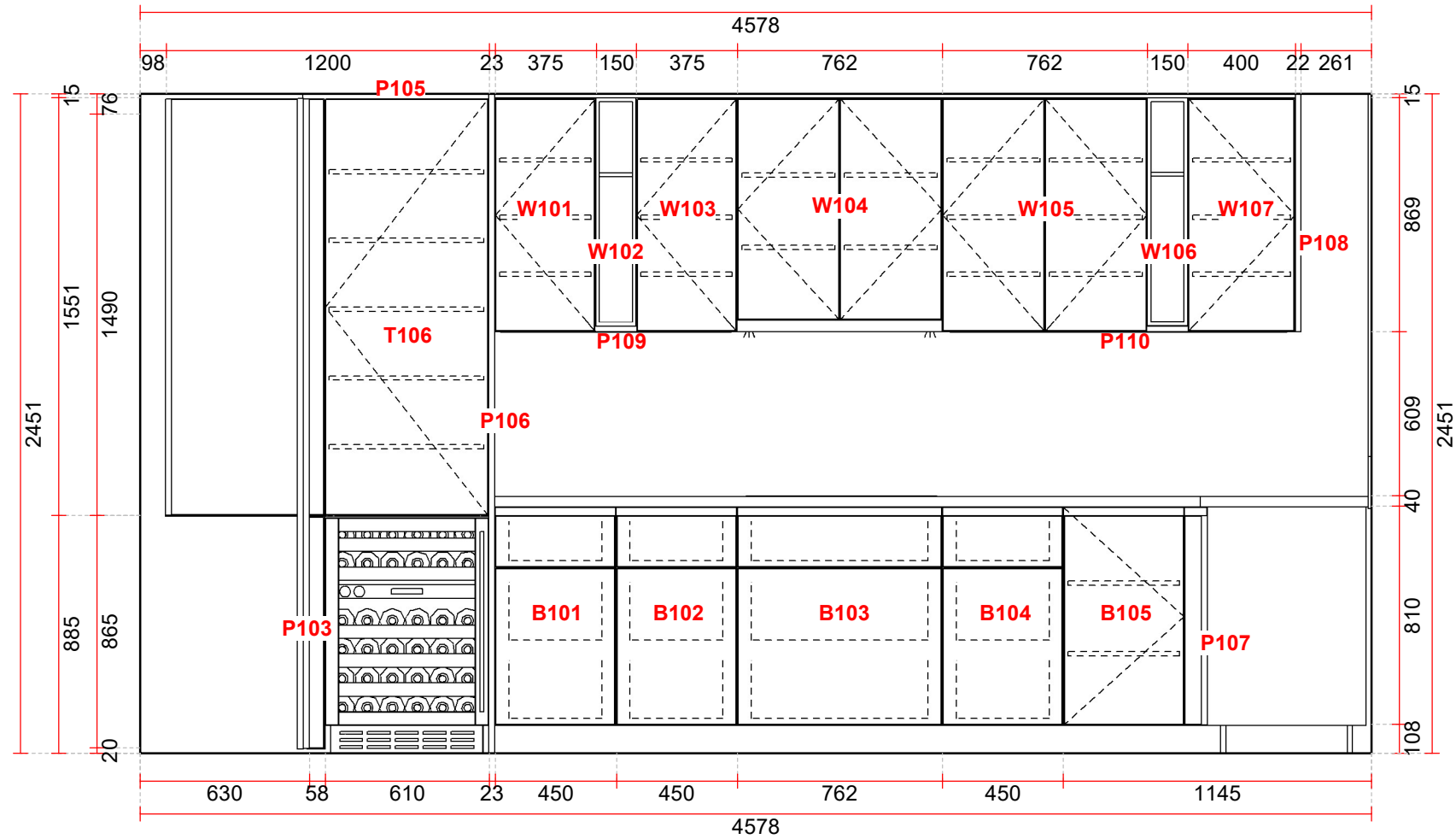
All measures are taken from the completed floor height

Scale: 1:24 (Tabloid)



ARTEZIA Design Studio  
 10 Arkansas Street  
 Suite A  
 San Francisco 94107

Telephone: 415 770 1013  
 E-Mail: info@artezia.com



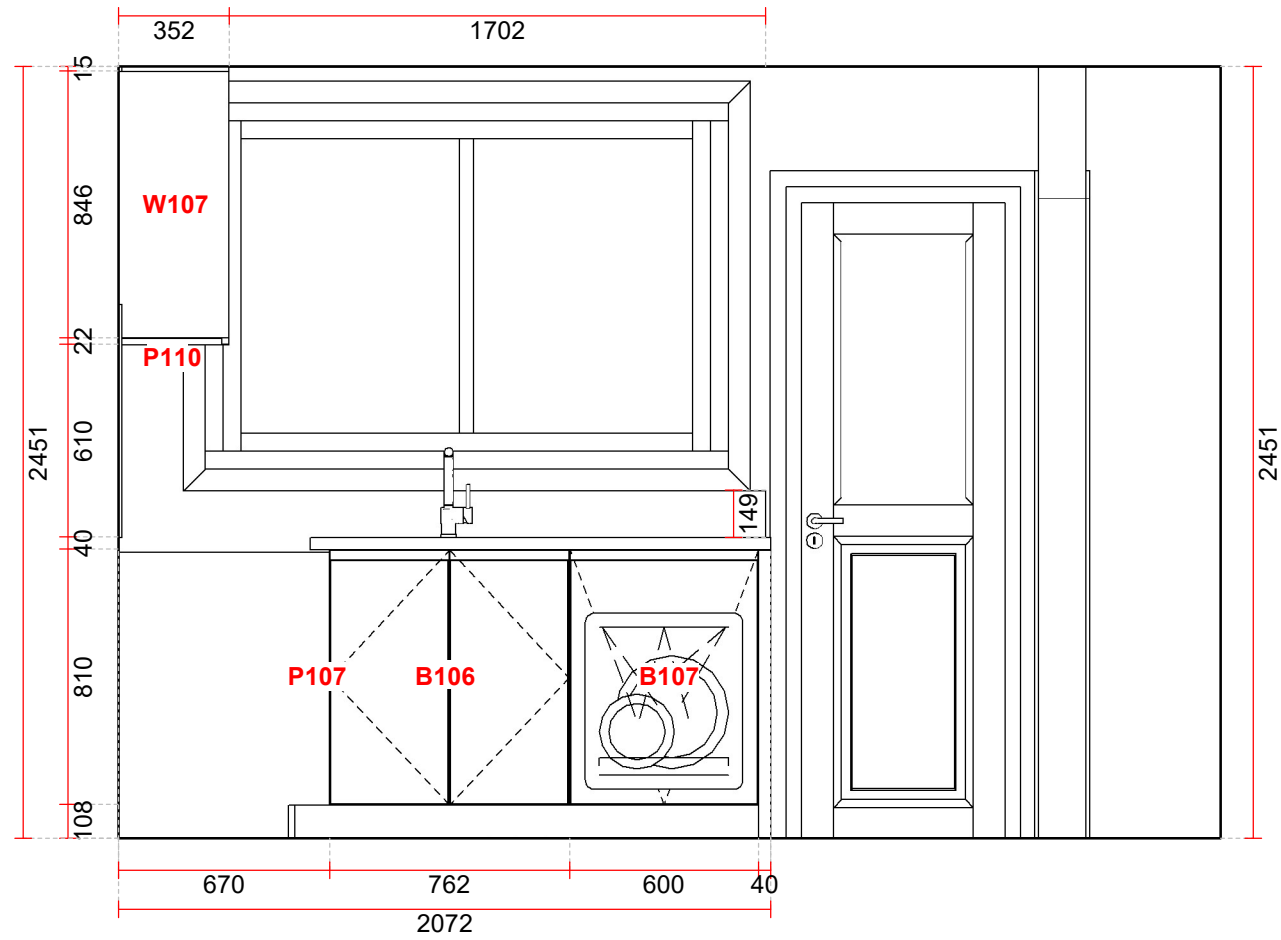
SOUTH WALL ELEVATION (METRIC)

All measures are taken from the completed floor height

Scale: 1:24 (Tabloid)



ARTEZIA Design Studio  
 10 Arkansas Street  
 Suite A  
 San Francisco 94107  
 Telephone: 415 770 1013  
 E-Mail: info@artezia.com



WEST WALL ELEVATION (METRIC)

All measures are taken from the completed floor height

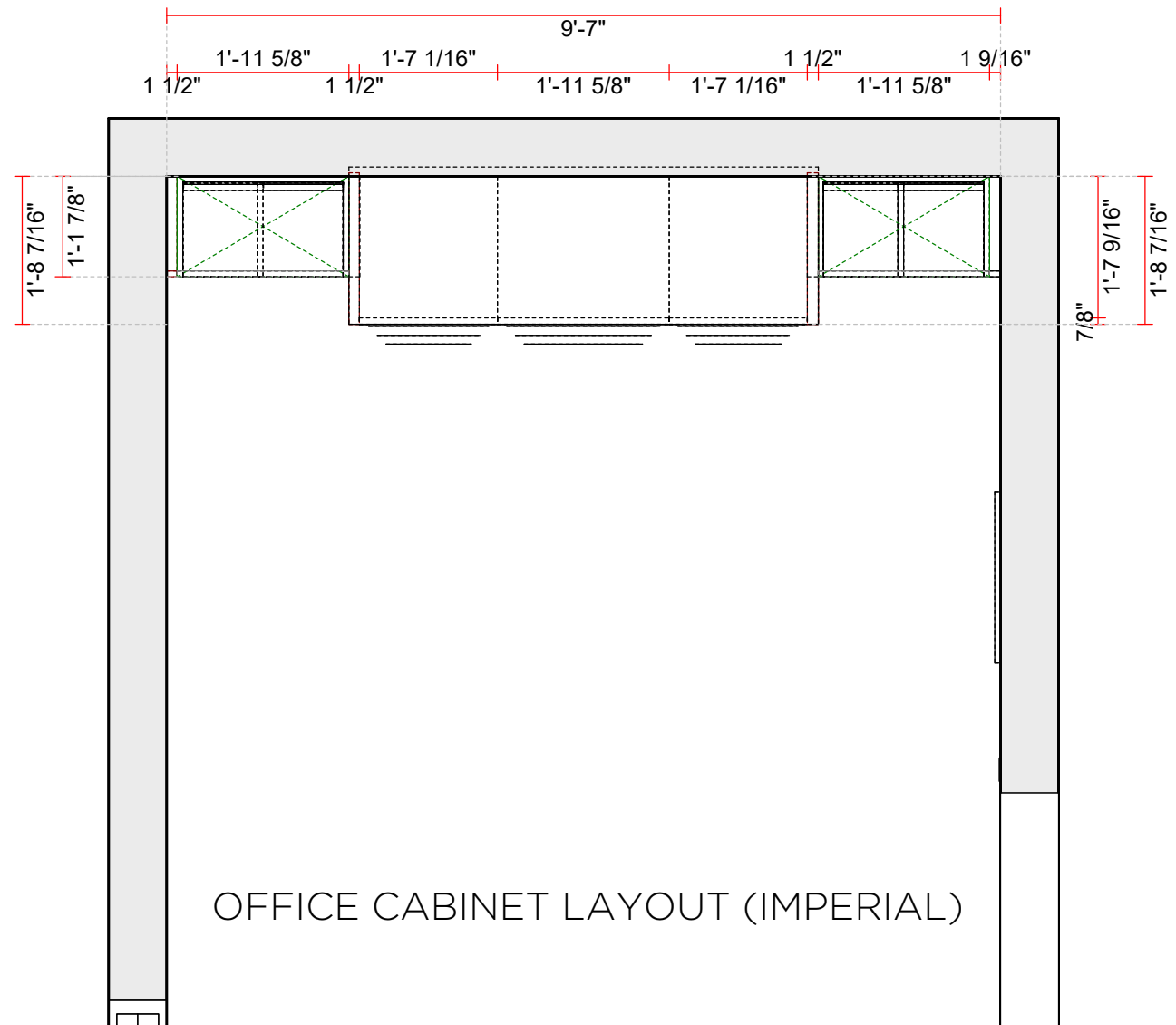
Scale: 1:24 (Tabloid)



ARTEZIA Design Studio  
 10 Arkansas Street  
 Suite A  
 San Francisco 94107  
 Telephone: 415 770 1013  
 E-Mail: info@artezia.com

# OFFICE PLAN SET



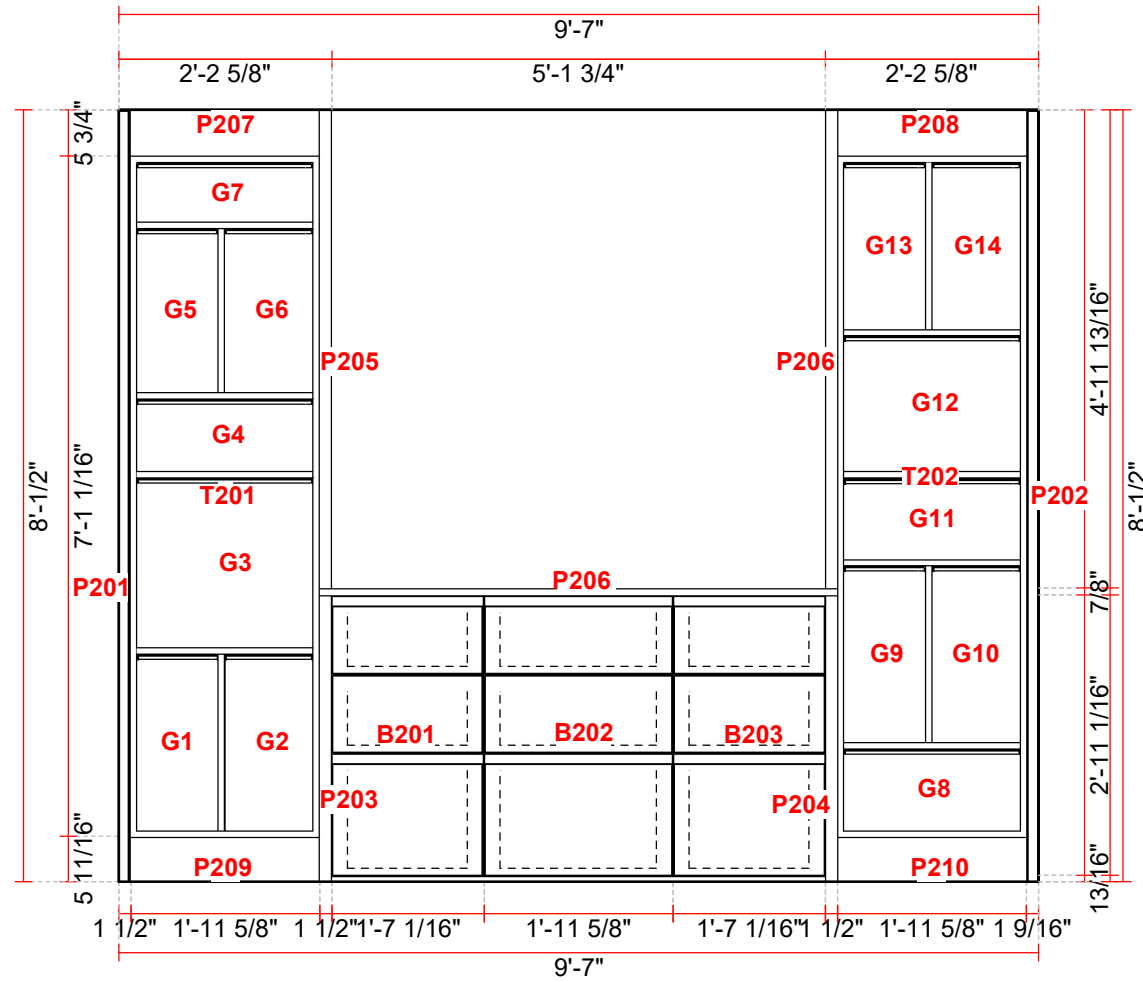


OFFICE CABINET LAYOUT (IMPERIAL)

Scale: 1/2" = 1'-0" (Tabloid)



ARTEZIA Design Studio  
 10 Arkansas Street  
 Suite A  
 San Francisco 94107  
 Telephone: 415 770 1013  
 E-Mail: info@artezia.com



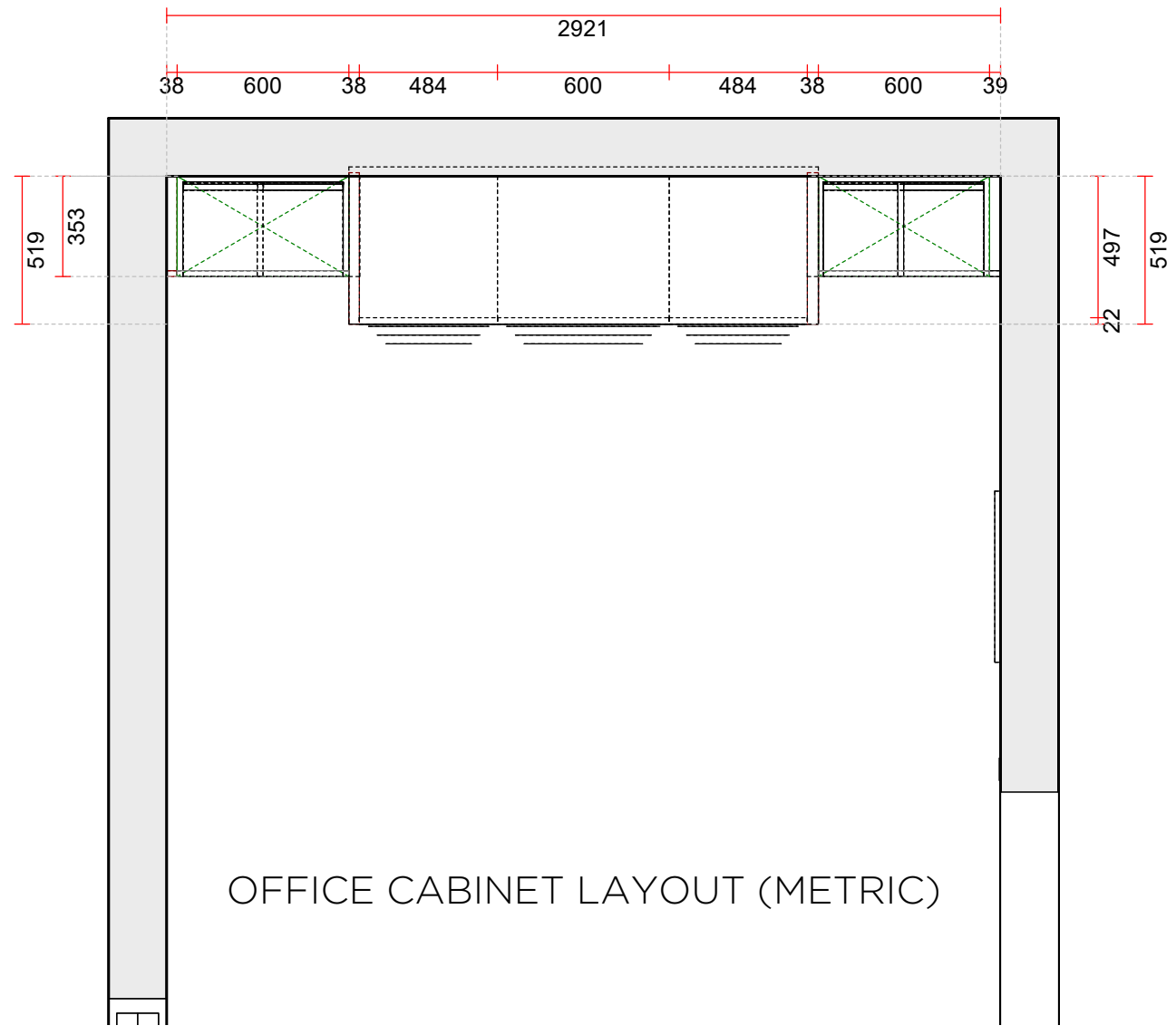
OFFICE ELEVATION (IMPERIAL)

All measures are taken from the completed floor height

Scale: 1/2" = 1'-0" (Tabloid)



ARTEZIA Design Studio  
 10 Arkansas Street  
 Suite A  
 San Francisco 94107  
 Telephone: 415 770 1013  
 E-Mail: info@artezia.com

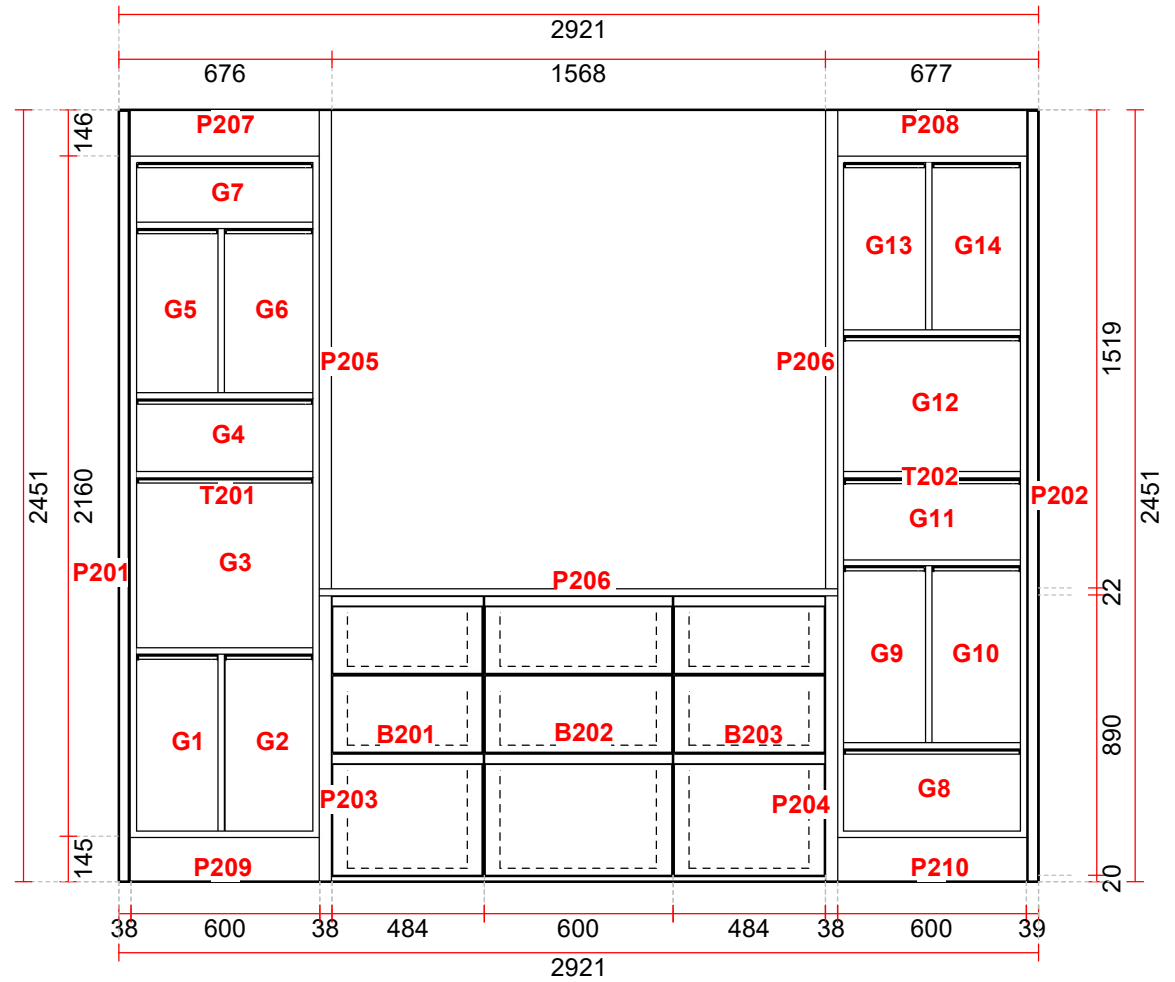


OFFICE CABINET LAYOUT (METRIC)

Scale: 1:24 (Tabloid)



ARTEZIA Design Studio  
 10 Arkansas Street  
 Suite A  
 San Francisco 94107  
 Telephone: 415 770 1013  
 E-Mail: info@artezia.com



OFFICE ELEVATION (METRIC)

All measures are taken from the completed floor height

Scale: 1:24 (Tabloid)



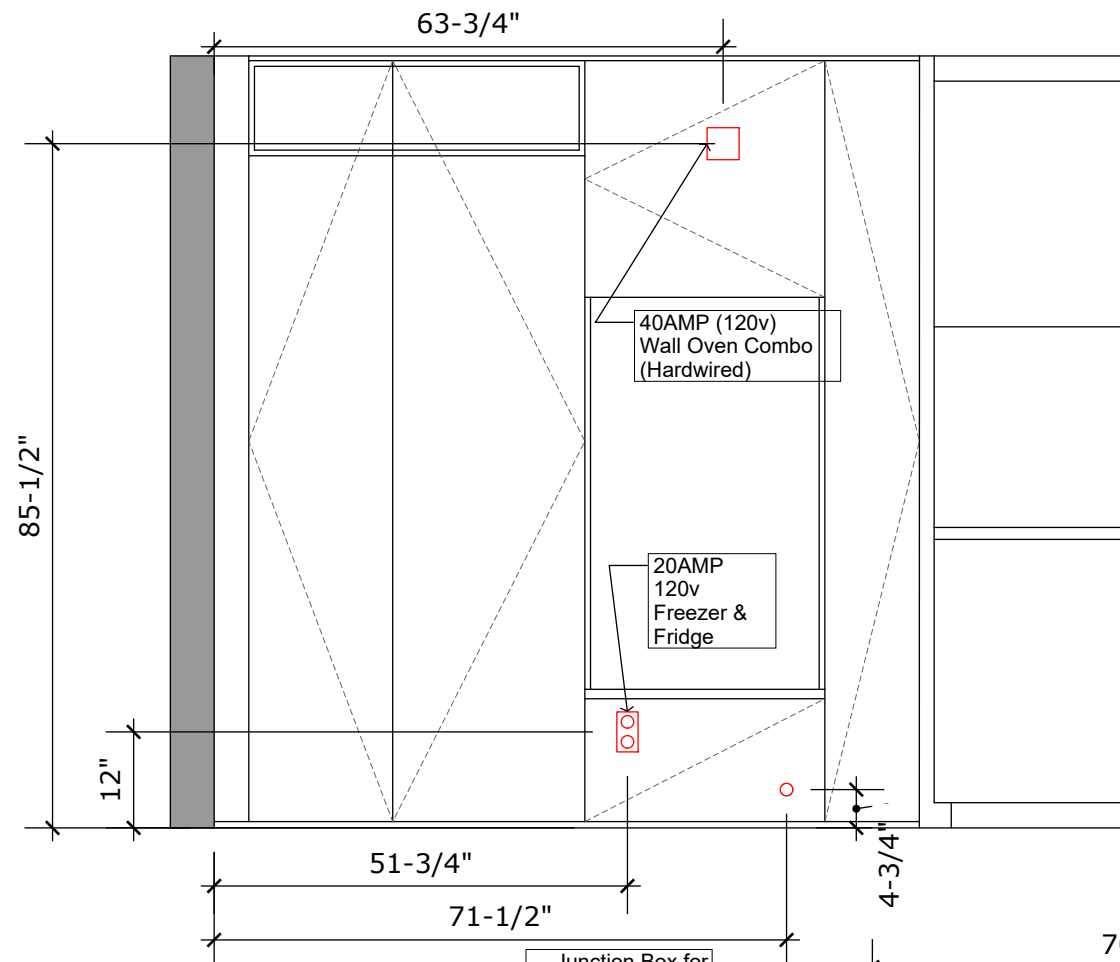
ARTEZIA Design Studio  
 10 Arkansas Street  
 Suite A  
 San Francisco 94107  
 Telephone: 415 770 1013  
 E-Mail: info@artezia.com

03

# TECHNICAL DRAWINGS

**1** KITCHEN WEST WALL ELEVATION

1/2" = 1'0"



**GENERAL NOTES:**

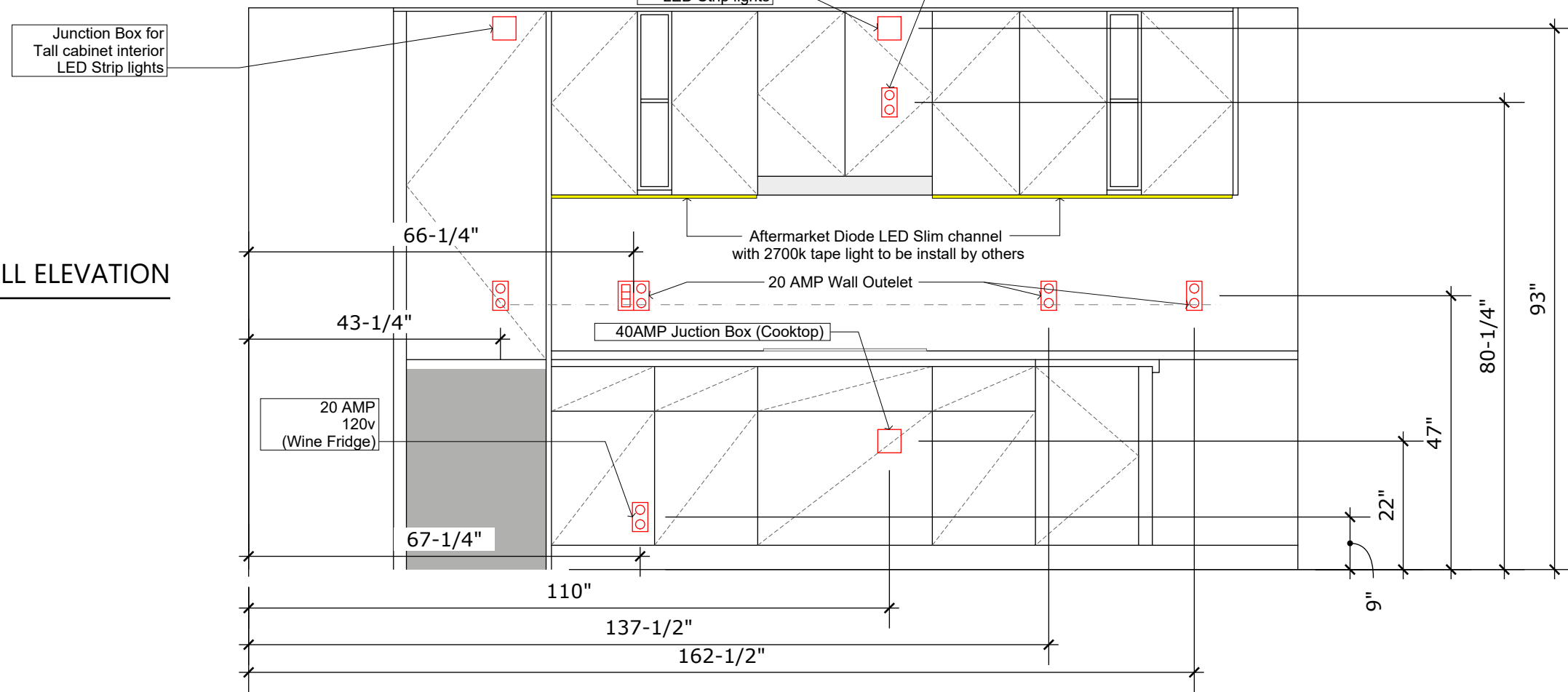
- Electrical and plumbing locations/positions are all suggested and need to be verify by the GC onsite.
- GC shall verify all existing dimensions and conditions (e.i. existing materials, framing member sizes and locations, method of construction).

**LEGEND:**

- ☐ - Switch
- ⊗ - Outlet
- ☐ - Junction Box
- - Waterline
- - Water & Drainage Line

**2** KITCHEN NORTH WALL ELEVATION

1/2" = 1'0"



**Designer**  
 Daniel Leffler  
 Tako Design Studios  
 10 Arkansas Street  
 San Francisco, CA 94107  
 Tel: 415.573.8943  
 Drawn Feb 07, 2023






**Sheet A1.1**  
 Electrical Elevation  
 Layout

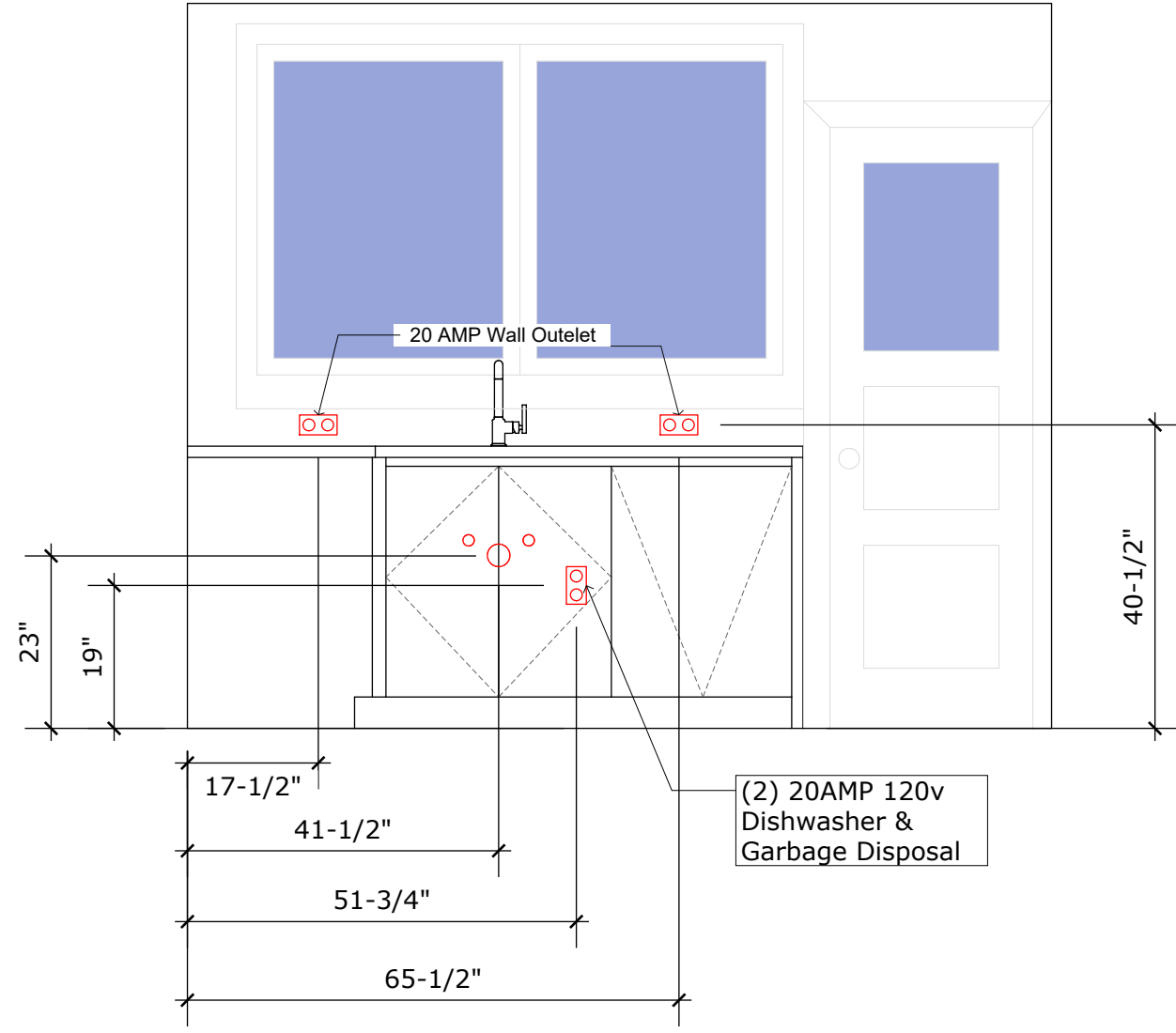
**Issues**  
 Working Sketches

**A1.1**



**Designer**  
Daniel Leffler  
Tako Design Studios  
10 Arkansas Street  
San Francisco, CA 94107  
Tel: 415.573.8943  
Drawn Feb 07, 2023

- LEGEND:**
-  - Switch
  -  - Outlet
  -  - Junction Box
  -  - Waterline
  -  - Water & Drainage Line



**1** KITCHEN EAST WALL ELEVATION  
1/2" = 1'0"

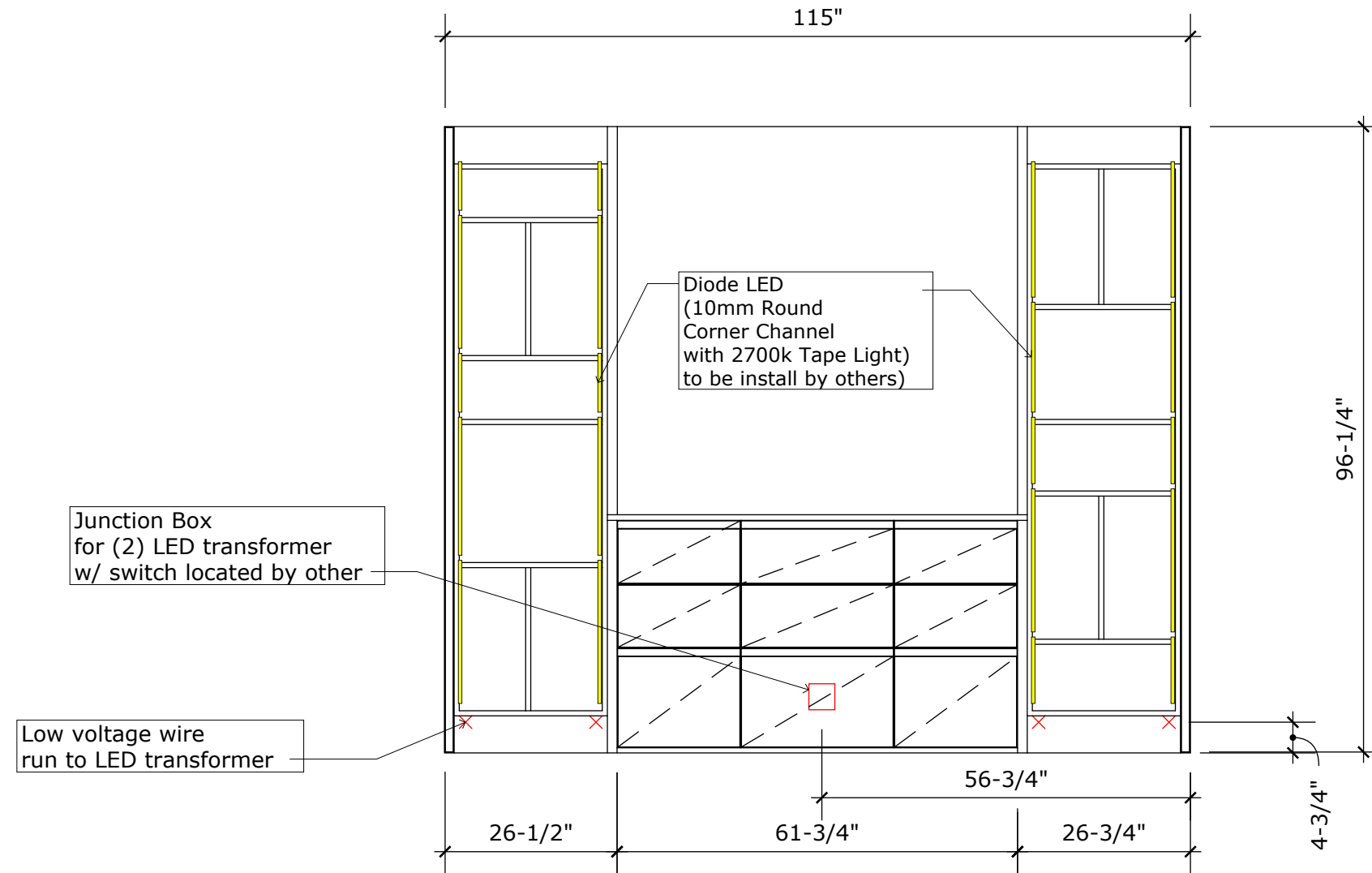
**Sheet A1.2**  
Electrical Elevation  
Layout

**Issues**  
Working Sketches

**A1.2**

**GENERAL NOTES:**

- Electrical and plumbing locations/positions are all suggested and need to be verify by the GC onsite.
- GC shall verify all existing dimensions and conditions (e.i. existing materials, framing member sizes and locations, method of construction).



① OFFICE EAST WALL ELEVATION  
1/2" = 1'0"

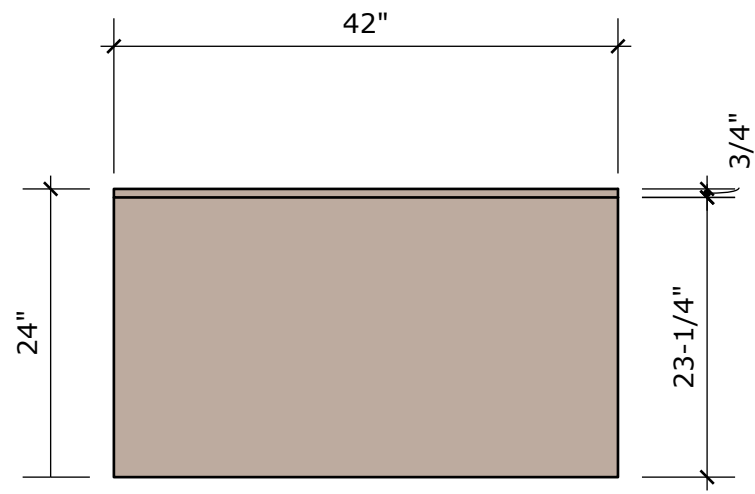
**Designer**  
Daniel Leffler  
Tako Design Studios  
10 Arkansas Street  
San Francisco, CA 94107  
Tel: 415.573.8943  
Drawn Feb 07, 2023

**Sheet A1.3**  
Electrical Elevation  
Layout

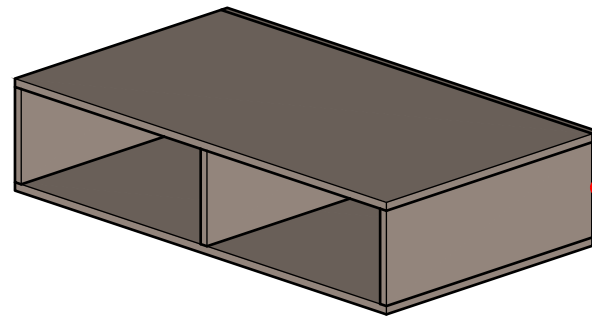
**Issues**  
Working Sketches

**A1.3**





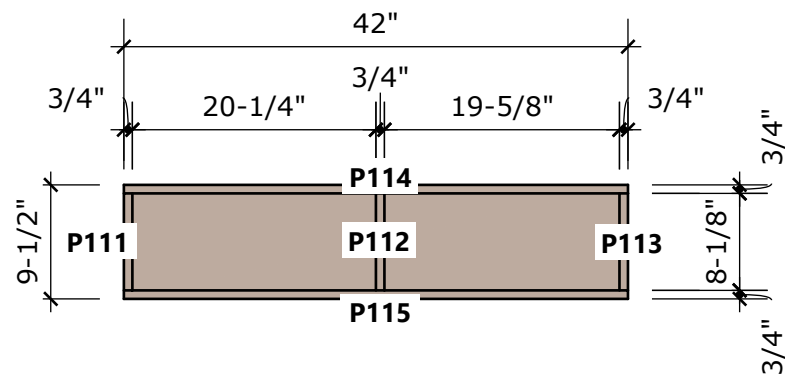
3 Top View  
 3/4" = 1'0"



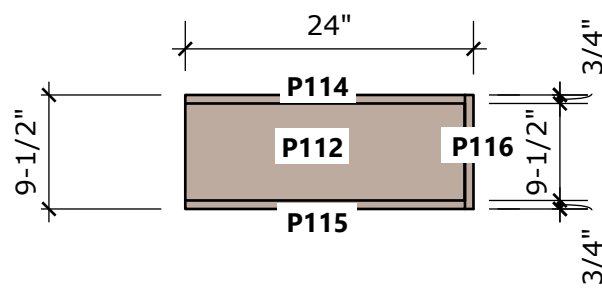
4 Isometric View  
 NTS



5 Perspective View  
 NTS



1 Front View  
 3/4" = 1'0"



2 Right side view  
 3/4" = 1'0"

**NOTES:**

- PANEL 111,112,113,& 116 ARE PROVIDE IN EXTRA WIDTH TO BE TRIM ACCORDINGLY BY THE INSTALLER ON-SITE
- DRAWN HEIGHT ARE ONLY SUGGESTED AND MUST BE CONFIRM BY OTHERS ON-SITE
- DRAWN HEIGHT ARE ONLY SUGGESTED AND MUST BE CONFIRM BY OTHERS ON-SITE

04

# CABINETS ORDER

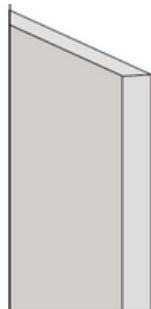
# KITCHEN CABINET PROFILE



## STYLE & FINISHES

### BLUNA LACCATO OPACO

Base unit doors and the Logika open wall units are made with MDF panel with low formaldehyde emission (E1 Class) matte lacquered on 6 sides.



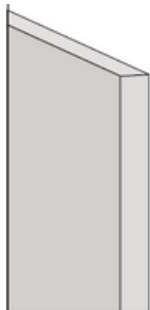
BLUNA 22mm



MATTE LACQUER FINISH

### BLUNA LEGNO

Tall cabinet doors will be made from a panel of wood particles with low formaldehyde emission (Class E1) coated with a veneer and edged oak wood on 4 sides.



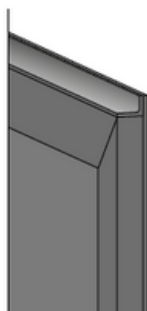
BLUNA 22mm



WOOD VENEER

### LAB VETRO

Wall unit doors are made from a sheet of glass, 4 mm thick, supported by a stainless steel finish frame.



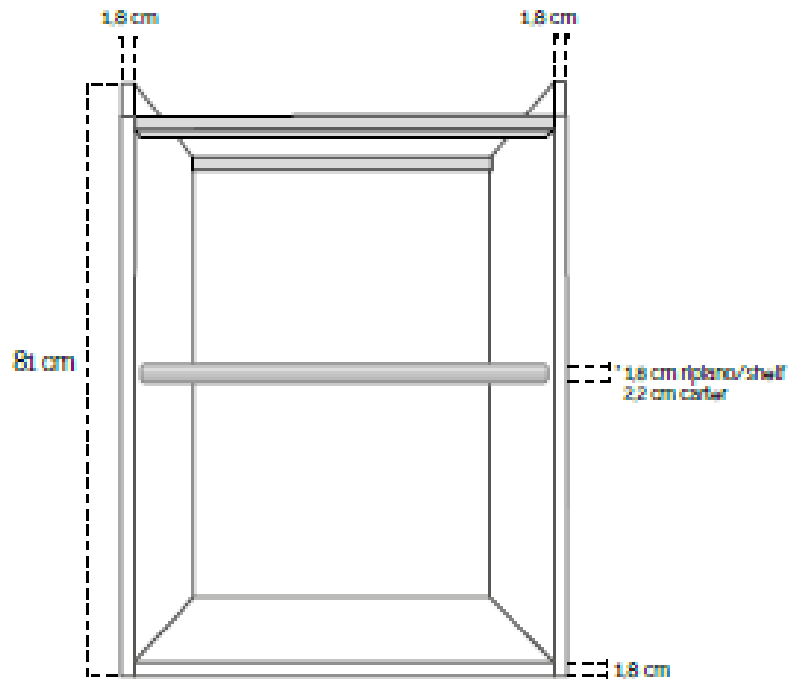
LAB 22mm



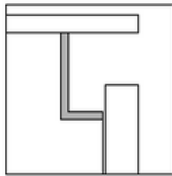
MATTE GLASS FINISH

# KITCHEN STRUCTURE DETAILS

The unit structures are made with low formaldehyde wood particle panels (E1 class), water-resistant and laminated with melaminic cover, resistant to abrasion and easy to clean. .



## HANDLES & TOEKICK



ALLUMINIO  
SPAZZOLATO  
CHAMPAGNE

\*For base cabinets

ALLUMINIO  
SPAZZOLATO

\*\*For tall cabinet (T03) drawer



ELLE GROOVE HANDLE



CHAMPAGNE ALUMINUM PLINTH FOR BASE UNIT CABINETS

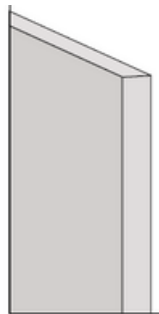
# OFFICE CABINET PROFILE



## STYLE & FINISHES

### BLUNA LACCATO OPACO

Door made with MDF panel with low formaldehyde emission (E1 Class) matte lacquered on 6 sides.



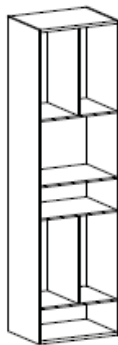
BLUNA 22mm



MATTE LACQUER

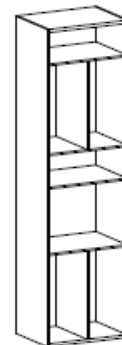
## SPECIAL CABINET

ARNIA open space cabinet w/ 12mm dividers in matte lacquer finish



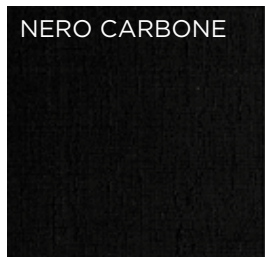
CARRUBA

MATTE LACQUER



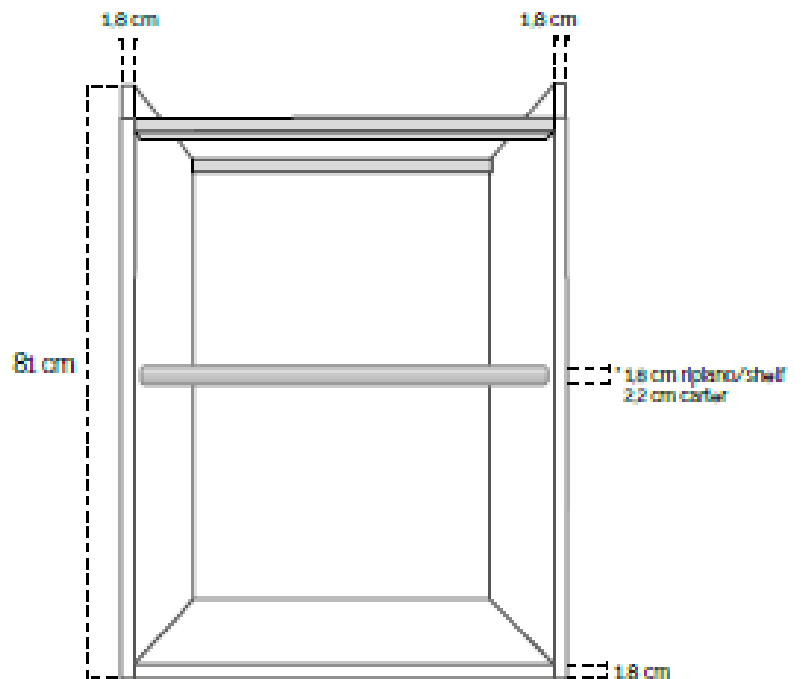
# OFFICE STRUCTURE DETAILS

The unit structures are made with low formaldehyde wood particle panels (E1 class), water-resistant and laminated with melaminic cover, resistant to abrasion and easy to clean.

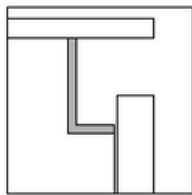


NERO CARBONE

FINISHES

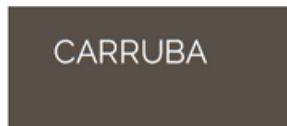


## HANDLES & TOEKICK



NERO TRAFFICO  
OPACO

ELLE GROOVE HANDLE



PLINTH COVER FINISH

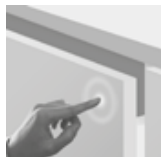


### **NOTES:**

Toekick cover for ARNIA open unit will be provided by ARTEZIA.  
Custom installation will be conduct by others on-site.

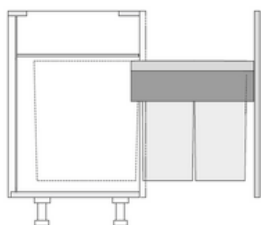
# HARDWARE

## A. Drawer & Basket Blum - Merivobox (SHCWARTZ GREY) finish



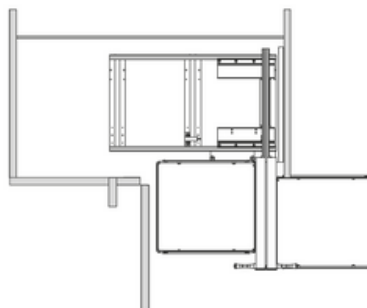
Includes:  
Tip-on for drawers/baskets installed for base cabinets

## B. Trash bin (B04)

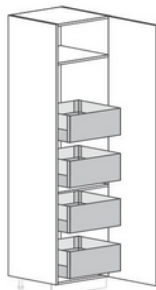


The L45 rubbish bin has two H51, 19lts containers with lids, of which one has an anti odor filter (TOTAL 38lts)

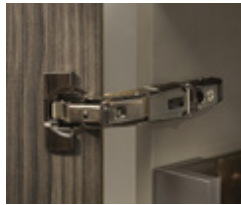
## C. Corner base cabinet (B05) “Free Compact” corner base unit



## D. Tall cabinet with internal pull-outs (T04)



### E. Hinges



Every door is provided with a soft closing system and mount quick coupling hinges with 3-direction adjustment, tested for 80.000 open/close cycles.

### F. Lights

Aluminum profile LED lighting integrated into the side panels of the corner tall unit (T05) with natural light 4000 K.



Includes:



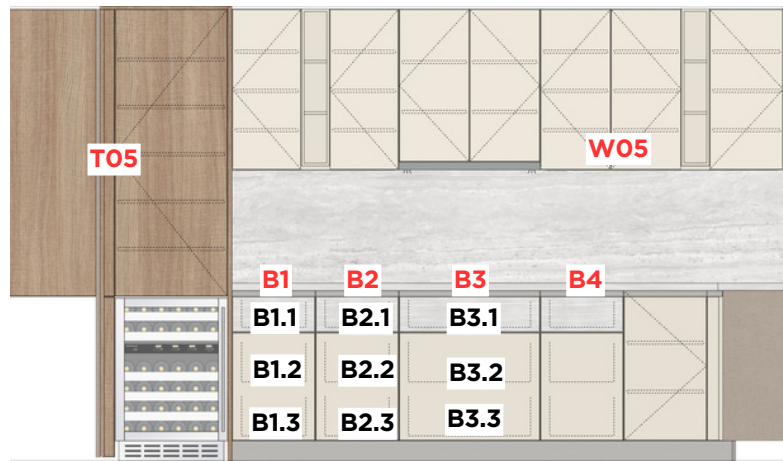
Proximity Sensor



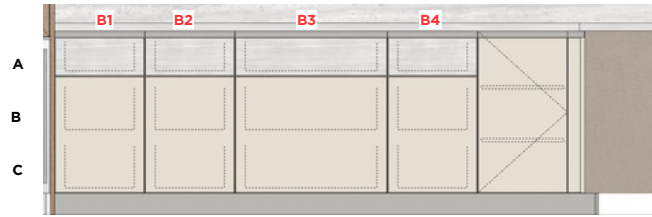
Transformer Type A/A+



# KITCHEN INSERTS



	Pos#	Description	Make	Model	Code	Finish	Qty
<b>Base Cabinet</b>							
	<b>B01.1</b>	45 Cutlery Tray	CUBO	EFFE-8	F8C045001N94	Black Ash Wood	1
	<b>B03.1</b>	75 Cutlery Tray	CUBO	EFFE-8	F8C075001N94	Black Ash Wood	1
		Knife Block	CUBO	EFFE-8	F8CAC02NX	Black Ash Wood	1
		Roll Holder	CUBO	EFFE-8	F8CAC05NX	Black Ash Wood	1
	<b>B03.2</b>	45 Pan Drawer Bases	CUBO	EFFE-8	F8K045001N94X	Black Ash Wood	1
		Plate Pegs	CUBO	EFFE-8	F8KAC01N84X	Black Ash Wood	2
		Plate Holder	CUBO	EFFE-8	F8KAC05N84X	Black Ash Wood	1
	<b>B03.3</b>	75 Pan Drawer Bases	CUBO	EFFE-8	F8K075001N94X	Black Ash Wood	1
		Plate Pegs	CUBO	EFFE-8	F8KAC01N84X	Black Ash Wood	3
<b>Wall Cabinet</b>							
	<b>W05</b>	Dish drainer for hanging cabinet	CUBO	Drainer-Line	ELSP07502XXUN	Brush Steel	1
		Plate rack insert	CUBO	Drainer-Line	ACSP04XUN	Brush Steel	2
<b>Tall Cabinet</b>							
	<b>T05</b>	Stemware Shelf	CUBO	EFFE-8	F8M120001NLTA	Black Ash Wood	1
		Object Tray Insert	CUBO	EFFE-8	F8KAC06N84	Black Ash Wood	2



**B1**

**B2**

**B3**

**A**

**EFFE-8**



45  
Portapastate  
Cutlery tray

Spice Storage  
with Drawer Matts

75

**EFFE-8**

with Knife rack & Double paper roll

75

Modulo per cestone  
Pan drawer module



**B**

Provided with Drawer Matts

Provided with Drawer Matts

45

Modulo per cestone  
Pan drawer module

**EFFE-8**

Pan drawer base with Plate pegs



**EFFE-8**  
Plate Holder

**C**

Provided with Drawer Matts

Provided with Drawer Matts

75

Modulo per cestone  
Pan drawer module

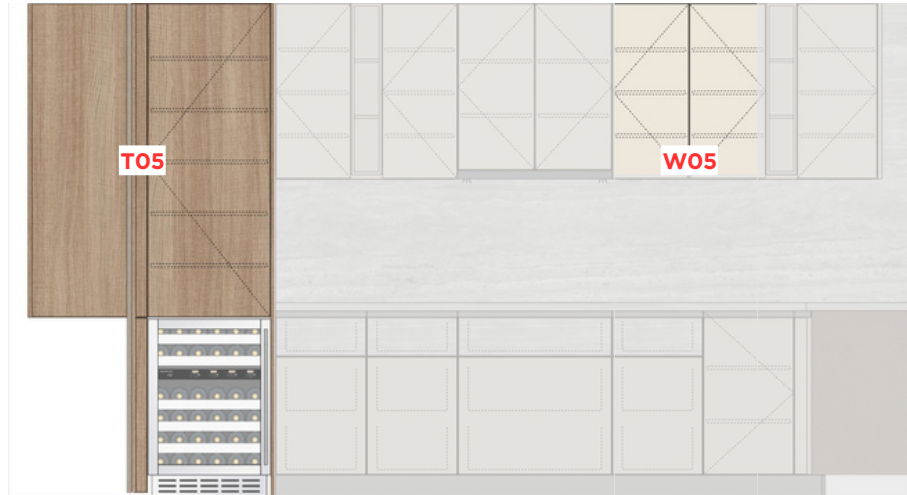
**EFFE-8**

Pan drawer base with Plate pegs



**Notes:**

BINOVA standard matts are provided in the drawers only



**T05**

**W05**

**EFFE-8  
Stemware-holder shelves (110V)**



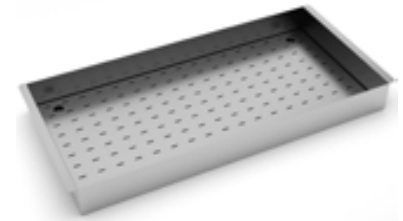
**DRAINER-Line**



**EFFE-8  
Object Tray Insert**



**DRAINER-Line  
Plate rack insert**



**DRAINER-Line  
Dish drainer base**

05

# APPLIANCES

# APPLIANCES LIST

- 01 Fridge 24-inch column panel-ready  
Thermador T24IR905SP
- 02 Freezer 18-inch column panel-ready  
Thermador T18IF905SP
- 03 Double oven & microwave 30-inch  
Thermador MEM301WS
- 04 Cooktop 30-inch induction  
Thermador CIT304YB
- 05 Hood Fan 30-inch in-cabinet  
Zephyr ZPI-E30BG
- 06 Dishwasher - 24-inch panel-ready  
Thermador DWHD650WPR
- 07 Wine Fridge - Under-counter 24"  
Thermador T24UW915LS

# T18IF905SP

## 18-INCH BUILT-IN FREEZER COLUMN WITH INTERNAL ICE MAKER

FREEDOM® COLLECTION, PANEL-READY



### FEATURES & BENEFITS

- Full Stainless Steel Inner Liner
- Freedom® Hinge enables true flush design
- Auto Door Opening provides the opening of the door with just a slight push or pull
- Energy Efficient Diamond Ice made with twist tray technology
- Smooth Filtered Lighting for clear and easy viewing of all product
- SoftClose® Drawers for easy and controlled storage
- Sleek clean design for the perfect symmetry when paired with additional columns
- TFT control panel managing all your columns functions

### TEMPERATURE RANGES

Freezer	-11°F (-24°C) to 7°F (-14°C)
SuperFreeze®	-22°F (-30°C) for approximately 52 hours
Energy Saving (Economy) Mode	3°F (-16°C)

### GENERAL PROPERTIES

Home Connect™ (Wi-Fi Enabled)	Yes
Panel Ready	Yes
Reversible Door Swing	Yes
SoftClose® Door	Yes*
SoftClose® Drawers	Yes
Lighting	LED Sidewall and Theater Lighting
Freezer Shelves	4
Adjustable Shelves	3
Shelf Material	Glass w/Aluminum Profile
Full Extension Drawers @ 115° Door Opening Angle	Yes
General Use Drawer	2
Door Bins	4
External LED Proximity Sensor	No
Oversized Dispenser Opening	No
Chilled Water, Crushed and Cubed Ice	No
Rapid Water Replenishment System	No
Ice Maker with Diamond Ice System	Yes
Door Open Alarm	Yes
Open Door Assist	Yes
Special Modes	Sabbath, Economy, Vacation

### CAPACITY

Total Capacity (cu. ft.)	8.6 cu. ft.
--------------------------	-------------

### PERFORMANCE

Dedicated Evaporator & Compressor System	Yes
SuperFreeze®	Yes
Defrost Process	Frost-Free

### TECHNICAL DETAILS

Watts (W)	350 W
Current (A)	15 A
Volts (V)	110-120 V
Frequency (Hz)	60 Hz
Power Cord Length (in.)	118
Plug Type	120V-3 Prong

### DIMENSIONS & WEIGHT

Appliance Dimensions (H x W x D) (in.)	83 3/4"*** x 17 3/4" x 24"
Required Cutout Size (H x W x D) (in.)	84" x 18" x 25"
Net / Gross Weight (lbs)	273 / 302 lbs

### EFFICIENCY

ENERGY STAR® Qualified	Yes
Annual Energy Consumption	404 kWh

\*To verify if you have a refrigeration unit with Soft-Close capability please contact our customer team by calling 1-800-735-4328.  
 \*\*Height adjustable + / -1/2" (+ / -13 mm)

# T18IF905SP

## 18-INCH BUILT-IN FREEZER COLUMN WITH INTERNAL ICE MAKER

FREEDOM® COLLECTION, PANEL-READY

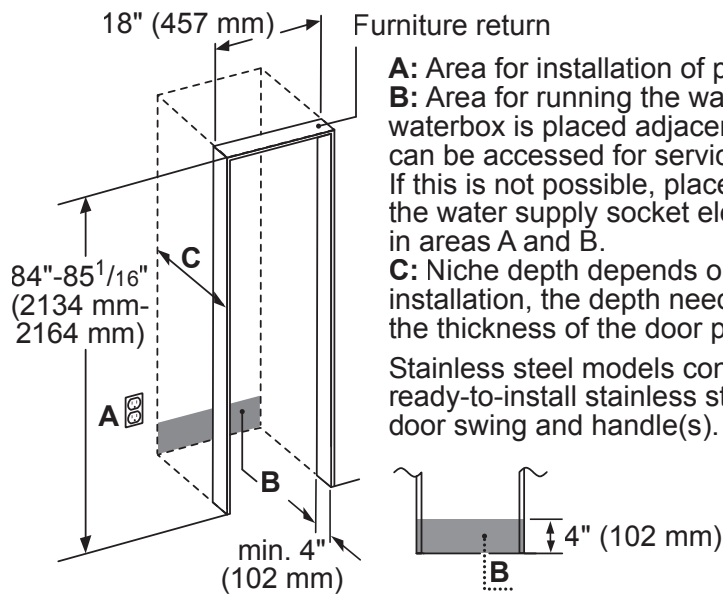


### WARRANTY

Limited, Entire Appliance, Parts and Labor on Any Part of the Refrigerator that Fails Because of a Manufacturing Defect	2 Year
Limited Warranty for Sealed Refrigeration System*; Parts and Labor	3rd to 6th Year
Limited Warranty for Sealed Refrigeration System*; Parts Only	7th to 12th Year
Limited Warranty for Stainless Steel Rust-Through	Lifetime

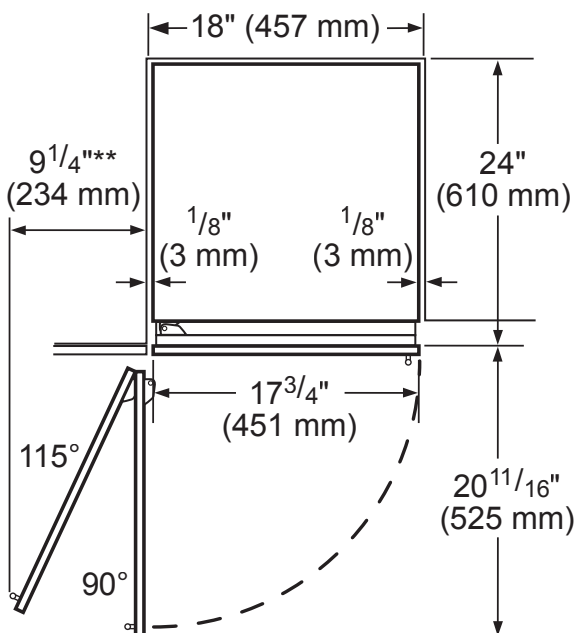
\*Sealed refrigeration system includes compressor, evaporator, condenser, dryer / strainer and connection tubing

### CUTOUT DIMENSIONS



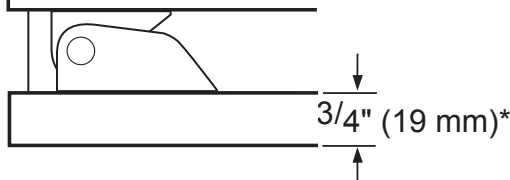
**A:** Area for installation of power connection.  
**B:** Area for running the water line. It is recommended that the waterbox is placed adjacent to the installation cavity, so that it can be accessed for service without uninstalling the appliance. If this is not possible, place the recessed waterbox adjacent to the water supply socket elevated at the heights as referenced in areas A and B.  
**C:** Niche depth depends on kitchen design. For a flush installation, the depth needs to be at least 24 inches plus the thickness of the door panel.  
 Stainless steel models contain a panel-ready base unit, ready-to-install stainless steel door(s) with a right or left door swing and handle(s).

### TOP VIEW CLEARANCE



\*\* Door handle must be added to this dimension

\* Depends on the thickness of the furniture door. 3/4" (19 mm) is relevant for the stainless steel door. (special Accessory).





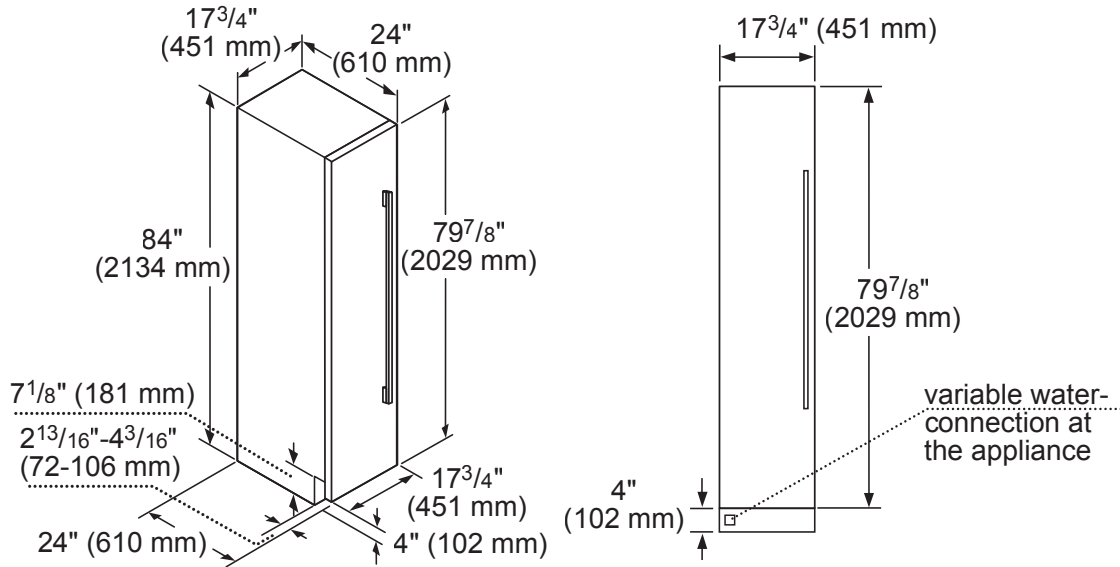
# T18IF905SP

## 18-INCH BUILT-IN FREEZER COLUMN WITH INTERNAL ICE MAKER

FREEDOM® COLLECTION, PANEL-READY



### PRODUCT AND PANEL DIMENSIONS



### ACCESSORIES (OPTIONAL)

#### FLAT STAINLESS STEEL DOOR PANELS

18-Inch Flat Stainless Steel Door Panel



- TFL18IR800**  
For use with Handle
- TFL18IR905**  
Handleless

**NOTE:** Handleless Panels should not be installed on units without the Soft-Close capability. If you are uncertain if you have a refrigeration unit with Soft-Close capability please contact our customer team by calling 1-800-735-4328.

#### HANDLES

Choose between two options:

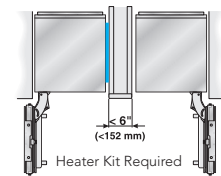


- PR36HNDL20**  
36-Inch Professional Series Handle

or



- MS36HNDL20**  
36-Inch Masterpiece® Series Handle



#### HEATRKIT20 – 13W @ 120V

Freedom® Heater Kit

When two appliances are installed side-by-side a sealing kit must be used. For combinations that involve a freezer column, this sealing kit is included. For all other (non-traditional, i.e. two wine columns, two bottom freezers, etc.) side-by-side combinations or instances where any appliances are installed less than 6-inches (152 mm) apart from one another but not connected side-by-side, purchase this kit. This kit is recommended for use with any installation in areas that are subject to humidity, or located next to an outside wall.

#### STORAGE



- ICEBUCKETL**  
Large Ice Bucket

#### FRAMEKIT10

Freedom® Frame Kit

For any custom column installation in 24-inch deep cutouts. With two metal side trims whose placement between the interior cutout wall and the appliance helps overcome the challenge of unfinished cabinet returns.

#### FILTERS



- REPLFLTR55**  
Freedom® Water Filter  
Replacement water filter for use in all freezer and bottom freezer models

These warranties give you specific legal rights and you may have other rights that vary from state to state. Limited warranty from date of purchase. For complete warranty details, refer to your Use & Care manual, or ask your dealer.

Specifications are for planning purposes only. Refer to installation instructions and consult your countertop supplier prior to making counter opening. Consult with a heating and ventilation engineer for your specific ventilation requirements. For the most detailed information, refer to installation instructions accompanying product or write to Thermador indicating the model number. Specifications are correct at time of printing. Thermador reserves the right to change product specifications or design without notice. Some models are certified for use in Canada. Thermador is not responsible for products that are transported from the U.S. for use in Canada.

# T24IR905SP

## 24-INCH BUILT-IN FRESH FOOD COLUMN

FREEDOM® COLLECTION, PANEL-READY



### FEATURES & BENEFITS

- Full Stainless Steel Inner Liner
- Freedom® Hinge enables true flush design
- Auto Door Opening provides the opening of the door with just a slight push or pull
- ThermaFresh System, Humidity and Temperature controlled drawers
- SoftClose® Drawers for easy and controlled storage
- Sleek clean design for the perfect symmetry when paired with additional columns
- TFT control panel managing all your columns functions

### TEMPERATURE RANGES

Refrigerator	36°F (2°C) to 46°F (8°C)
Temperature Controlled Drawer	30°F (-1°C) to 38°F (3°C)
SuperCool	36°F (2°C) for approximately 6 hours
Energy Saving (Economy) Mode	43°F (6°C)

### GENERAL PROPERTIES

Home Connect™ (Wi-Fi Enabled)	Yes
Panel Ready	Yes
Reversible Door Swing	Yes
SoftClose® Door	Yes
SoftClose® Drawers	Yes
Carbon Air Filter	Yes
Lighting	LED Sidewall and Theater Lighting
Refrigerator Shelves	4
Adjustable Shelves	3
Shelf Material	Glass w/Aluminum Profile
Full Extension Drawers @ 115° Door Opening Angle	Yes
Full Extension Drawers @ 90° Door Opening Angle	Yes
General Use Drawer	1
Humidity Managed Drawer	1
Temperature Controlled Drawer	1
Door Bins	3
Gallon Door Bins	1
Door Open Alarm	Yes
Open Door Assist	Yes
Special Modes	Sabbath, Economy, Vacation

### CAPACITY

Total Capacity (cu. ft.)	13.0 cu. ft.
--------------------------	--------------

### PERFORMANCE

Dedicated Evaporator & Compressor System	Yes
Freeflow® Cold Air System	Yes
SuperCool	Yes

### TECHNICAL DETAILS

Watts (W)	350 W
Current (A)	15 A
Volts (V)	110-120 V
Frequency (Hz)	60 Hz
Power Cord Length (in.)	118
Plug Type	120V-3 Prong

### DIMENSIONS & WEIGHT

Appliance Dimensions (H x W x D) (in.)	83 3/4"* x 23 3/4" x 24"
Required Cutout Size (H x W x D) (in.)	84" x 24" x 25"
Net / Gross Weight (lbs)	330 / 352 lbs

### EFFICIENCY

ENERGY STAR® Certified	Yes
Annual Energy Consumption	254 kWh

\*Height adjustable + / -1/2" (+ / -13 mm)

# T24IR905SP

## 24-INCH BUILT-IN FRESH FOOD COLUMN

FREEDOM® COLLECTION, PANEL-READY

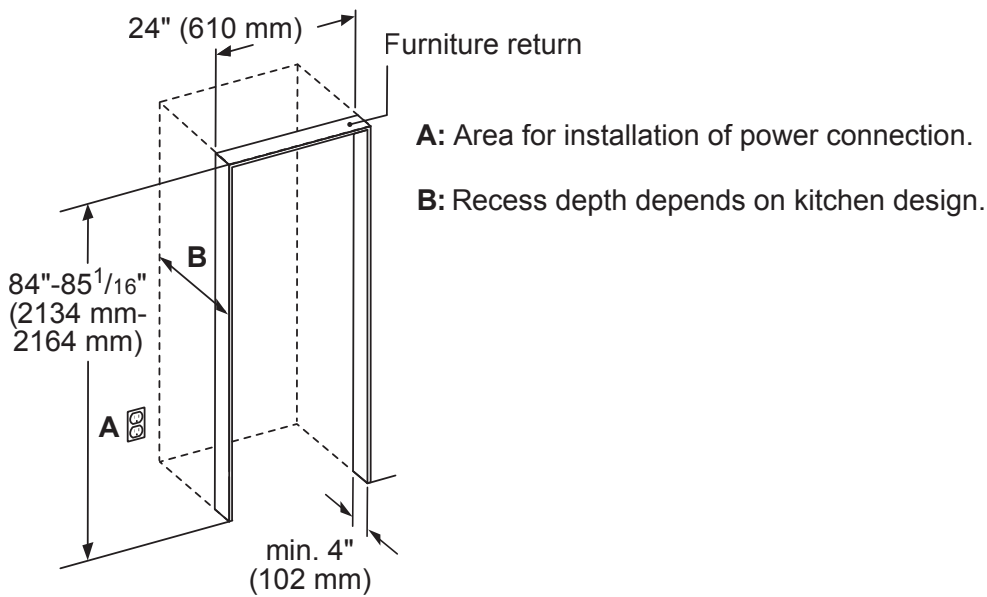


### WARRANTY

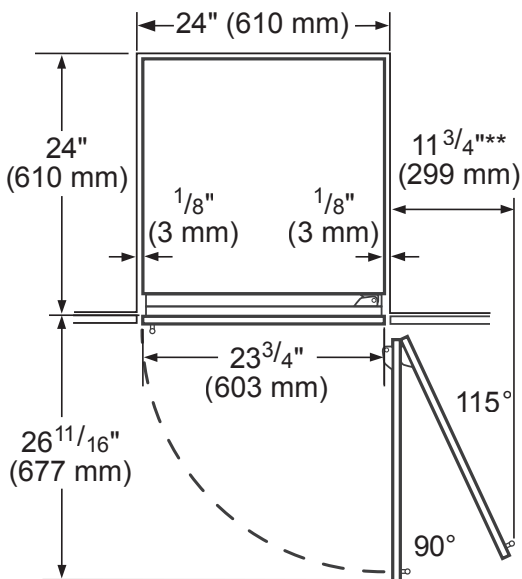
Limited, Entire Appliance, Parts and Labor on Any Part of the Refrigerator that Fails Because of a Manufacturing Defect	2 Year
Limited Warranty for Sealed Refrigeration System*; Parts and Labor	3rd to 6th Year
Limited Warranty for Sealed Refrigeration System*; Parts Only	7th to 12th Year
Limited Warranty for Stainless Steel Rust-Through	Lifetime

\*Sealed refrigeration system includes compressor, evaporator, condenser, dryer / strainer and connection tubing

### CUTOUT DIMENSIONS

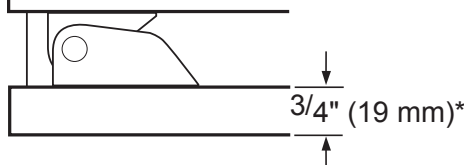


### TOP VIEW CLEARANCE



\*\* Door handle must be added to this dimension

\* Depends on the thickness of the furniture door. 3/4" (19 mm) is relevant for the stainless steel door. (special Accessory).



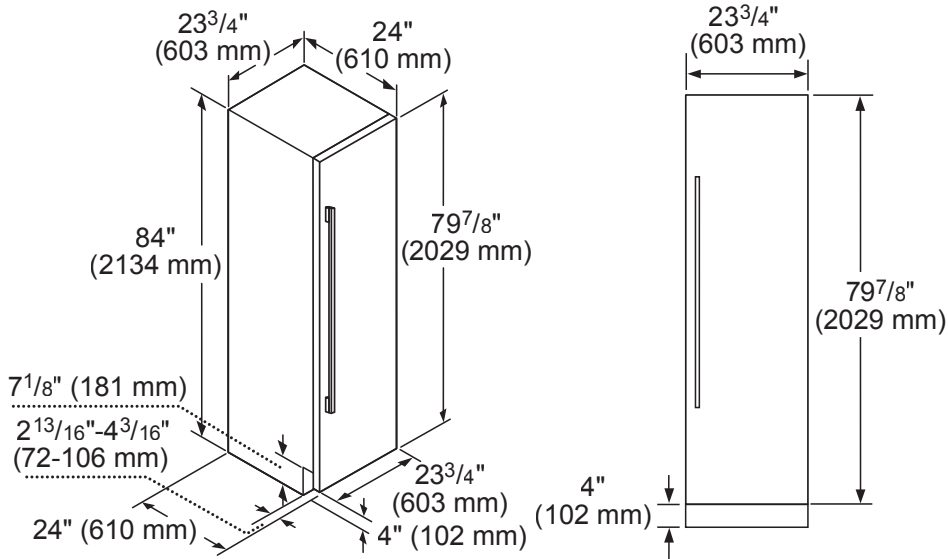
# T24IR905SP

## 24-INCH BUILT-IN FRESH FOOD COLUMN

FREEDOM® COLLECTION, PANEL-READY



### PRODUCT AND PANEL DIMENSIONS



### ACCESSORIES (OPTIONAL)

#### FLAT STAINLESS STEEL DOOR PANELS

24-Inch Flat Stainless Steel Door Panel



- TFL24IR800**  
For use with Handle
- TFL24IR905**  
Handleless

#### HANDLES

Choose between two options:



- PR36HNDL20**  
36-Inch Professional Series Handle
- or
- MS36HNDL20**  
36-Inch Masterpiece® Series Handle

#### STORAGE



- SPRODBIN10**  
Small Produce Bin



- LPRODBIN10**  
Large Produce Bin



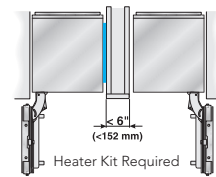
- 24PRODRAIL**  
24-Inch Produce Railing



- 24HFGALBIN**  
24-Inch Half Gallon Bin

#### FRAMEKIT10

**Freedom® Frame Kit**  
 For any custom column installation in 24-inch deep cutouts. With two metal side trims whose placement between the interior cutout wall and the appliance helps overcome the challenge of unfinished cabinet returns.



#### HEATRKIT20 - 13W @ 120V

**Freedom® Heater Kit**  
 When two appliances are installed side-by-side a sealing kit must be used. For combinations that involve a freezer column, this kit is included. For all other (non-traditional, i.e. two wine columns, two bottom freezers, etc.) side-by-side combinations or instances where any appliances are installed less than 6-inches (152 mm) apart from one another but not connected side-by-side, purchase this kit. This kit is recommended for use with any installation in areas that are subject to humidity, or located next to an outside wall.

These warranties give you specific legal rights and you may have other rights that vary from state to state. Limited warranty from date of purchase. For complete warranty details, refer to your Use & Care manual, or ask your dealer.

Specifications are for planning purposes only. Refer to installation instructions and consult your countertop supplier prior to making counter opening. Consult with a heating and ventilation engineer for your specific ventilation requirements. For the most detailed information, refer to installation instructions accompanying product or write to Thermador indicating the model number. Specifications are correct at time of printing. Thermador reserves the right to change product specifications or design without notice. Some models are certified for use in Canada. Thermador is not responsible for products that are transported from the U.S. for use in Canada.

# MEM301WS

## 30-INCH DOUBLE COMBINATION BUILT-IN OVEN WITH MICROWAVE

MASTERPIECE® SERIES



### FEATURES & BENEFITS

- Specially crafted gray glass on stainless steel for a luxurious look and finish
- Designed for flexibility—standard or flush installation into kitchen cabinets
- 950 watts microwave power and 10 microwave power level
- SoftClose® door ensures ultra smooth closing of the oven door
- Fast 2-hour self clean mode

### ACCESSORIES (INCLUDED)

Upper Cavity: Glass turntable; Lower Cavity: 1 Telescopic and 2 Standard Oven Racks, Meat Probe, Broil Pan

### WARRANTY

Limited Warranty Parts and Labor	2 Year
----------------------------------	--------

### ACCESSORIES (OPTIONAL)



SDCLNRCK30  
30-Inch Oven Self-clean Standard Rack

### GENERAL PROPERTIES

Heating Modes – Upper Cavity

(9) Baked Potato, Sweet Potato, Fresh Vegetable, Frozen Vegetable, Ground Meat, Fish / Seafood, Brown Rice, White Rice, Frozen Entrées

Heating Modes – Lower Cavity

(13) Bake, Broil, Roast, Convection Bake, Convection Broil, Convection Roast, Proof, Warm, Pizza, True Convection, Dehydrate, Speed Convection, Slow Roast

Sabbath	Yes	
Cleaning Type – Lower Cavity	Easy Clean and Self Clean	
Telescopic Rack(s)	1	
Illumination Type	Upper Cavity Lower Cavity	LED Halogen
Interior Lights	Upper Cavity Lower Cavity	1 2
Home Connect (Wi-Fi Enabled)	Yes, Lower Oven Only	

### OVEN PERFORMANCE

Microwave Power	950 W
Bake / Broil Element – Lower Cavity	2,400 W / 3,800 W
Convection Element – Lower Cavity	2,000 W

### TECHNICAL DETAILS

Watts	10,200 W
Circuit Breaker	50 A
Volts; Frequency	240 / 208 V; 60 Hz
Plug Type	Fixed Connection, No Plug
Conduit	60" 4-Wire
Energy Source	Electric

### DIMENSIONS & WEIGHT

Overall Appliance Dimensions (HxWxD)	49" x 29 3/4" x 24 1/2"
Trim Overlaps (Top – Sides – Bottom)	1/2" – 9/16" – 0"
Required Cutout Size (HxWxD) – Standard	48 1/2" x 28 1/2" x 23 1/2"
Required Cutout Size (HxWxD) – Flush	49 1/8" x 30" x 24 1/2"
Microwave Capacity	1.6 cu. ft.
Oven Capacity	4.5 cu. ft.
Overall Lower Oven Interior Dimensions (HxWxD)	17 3/4" x 24" x 17 7/8"
Usable Lower Oven Interior Dimensions (HxWxD)	13 1/2" x 21 5/8" x 16 1/4"
Net Weight	267 lbs

# MEM301WS

## 30-INCH DOUBLE COMBINATION BUILT-IN OVEN WITH MICROWAVE

MASTERPIECE® SERIES



### 30-INCH DOUBLE COMBINATION OVEN WITH MICROWAVE

Combination Oven with Microwave or Speed Oven

measurements in inches (mm)

Door Handle Depth\*  
Masterpiece Series Handle

\*Protrusion of handle from door skin

Combination Oven with Microwave or Speed Oven

\* Junction box may be installed above, beneath, right or left of the unit within range of the power cord.

Combination Oven with Microwave or Speed Oven, flush mount installation  
Top View Bottom Hinge Door

measurements in inches (mm)

Side View-Combination Oven with Microwave or Speed Oven

measurements in inches (mm)

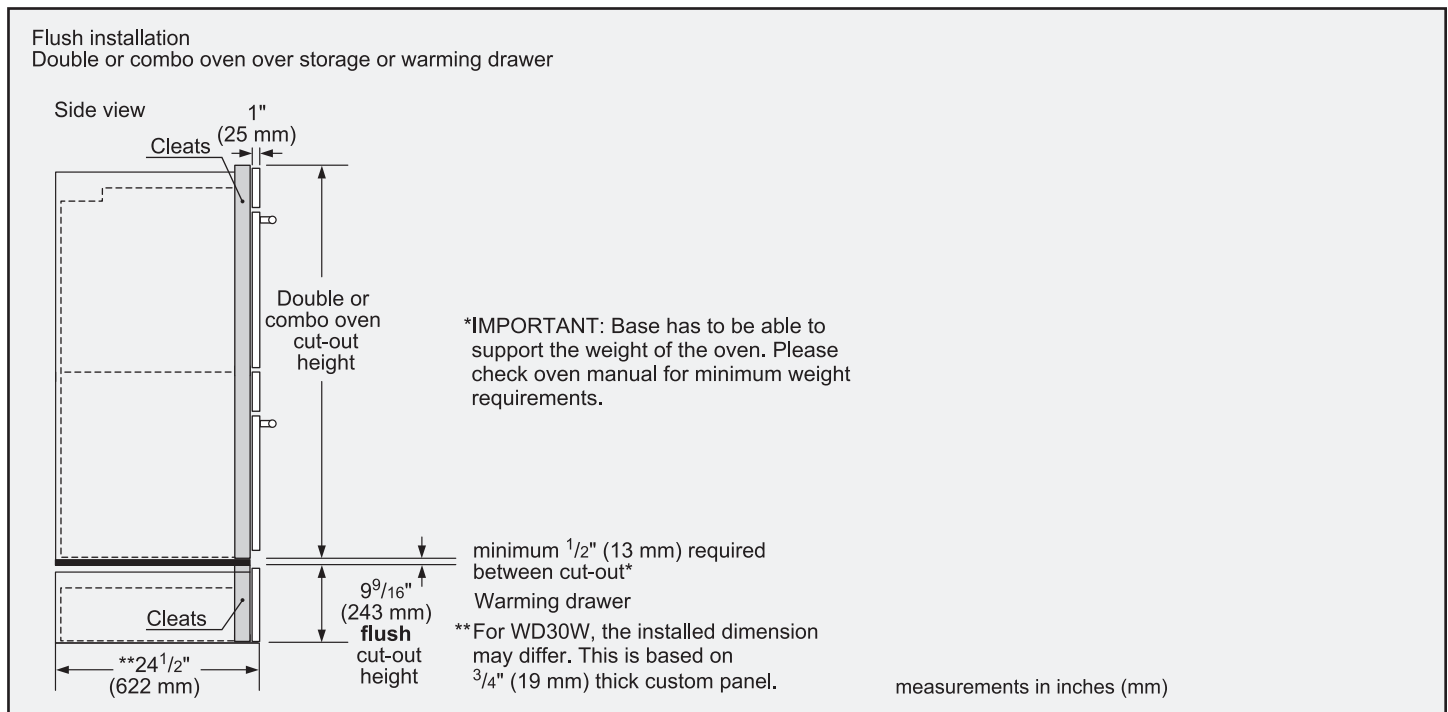
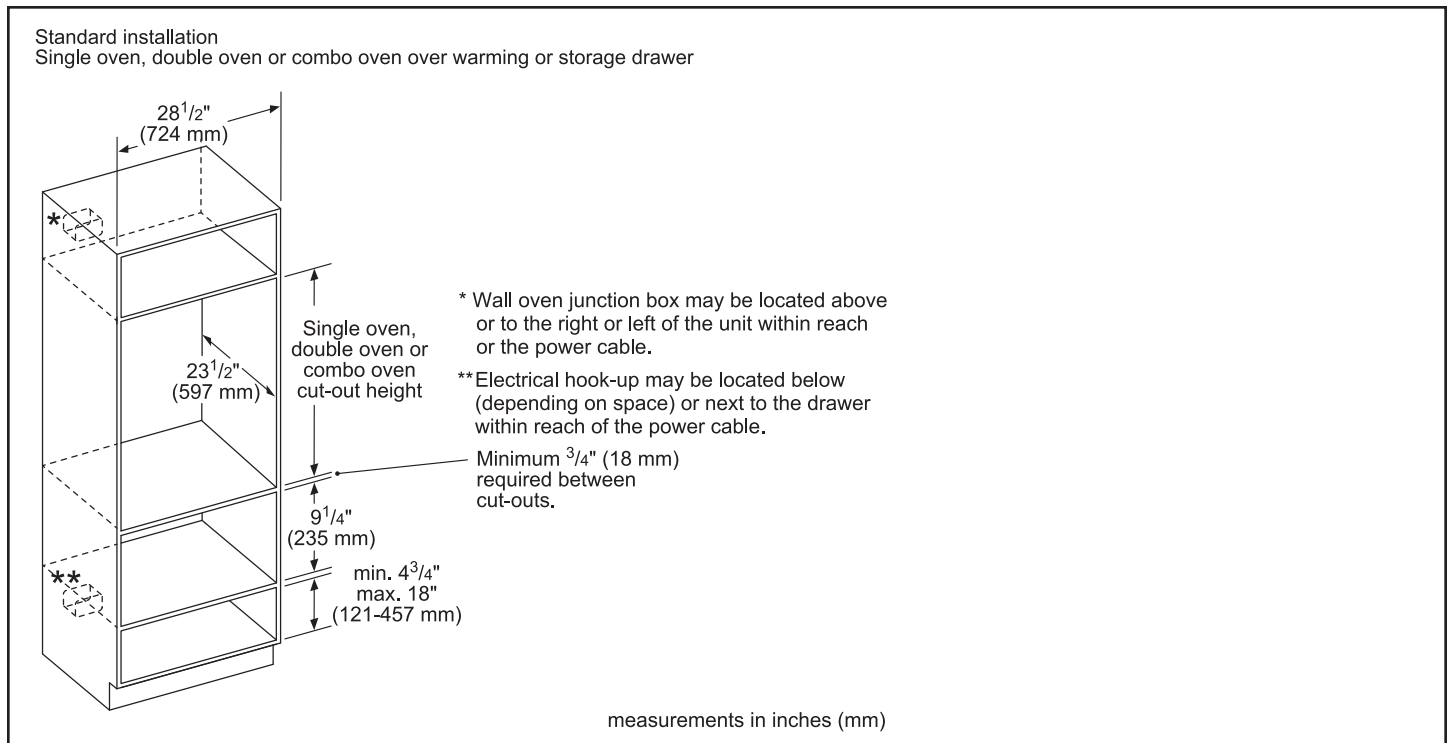
# MEM301WS

## 30-INCH DOUBLE COMBINATION BUILT-IN OVEN WITH MICROWAVE

MASTERPIECE® SERIES



### INSTALLATION DETAILS



These warranties give you specific legal rights and you may have other rights that vary from state to state. Limited warranty from date of purchase. For complete warranty details, refer to your Use & Care manual, or ask your dealer.

Specifications are for planning purposes only. Refer to installation instructions and consult your countertop supplier prior to making counter opening. Consult with a heating and ventilation engineer for your specific ventilation requirements. For the most detailed information, refer to installation instructions accompanying product or write to Thermador indicating the model number. Specifications are correct at time of printing. Thermador reserves the right to change product specifications or design without notice. Some models are certified for use in Canada. Thermador is not responsible for products that are transported from the U.S. for use in Canada.

# T24UW915LS

## UNDER-COUNTER WINE RESERVE WITH GLASS DOOR

MASTERPIECE® SERIES HANDLE – LEFT HINGED



Also Available:

- T24UW915RS – Right Hinged with Masterpiece® Series Handle
- T24UW925LS – Left Hinged with Professional Series Handle
- T24UW925RS – Right Hinged with Professional Series Handle
- T24UW905LP – Left Hinged Custom Panel-Ready
- T24UW905RP – Right Hinged Custom Panel-Ready

### FEATURES & BENEFITS

- Dual zone wine storage with adjustable temperature zones
- Full-extension wine racks
- UV resistant tempered glass door
- SoftClose® door hinges for ultra-smooth closing of the door
- LED theater lighting
- Touch electronic controls for precise temperature management

### GENERAL PROPERTIES

UV Resistant Glass Door	Yes
Reversible Door Swing	Left and Right Available
SoftClose® Door Hinges	Yes
Lighting	Adjustable LED Lighting
Bottle Shelves	6
Shelf Material	Wenge Triangular Hardwood dowels w/ Aluminum Front Caps
Full Extension Wine Racks	Yes
Dual Zone Wine Storage	Yes
Door Open Alarm	Yes
Touch Electronic Controls	Yes
STAR-K Certified Sabbath Mode	Yes

### CAPACITY

Number of Bottles	41
-------------------	----

### TEMPERATURE RANGES

Upper Zone	40°F (3°C) to 54°F (12°C)
Lower Zone	40°F (4.5°C) to 64°F (18°C)

### TECHNICAL DETAILS

Watts (W)	150 W
Current (A)	15 Amp
Volts (V)	115 V
Frequency (Hz)	60 Hz
Power Cord Length (in.)	60"
Plug Type	120V 3-Wire

### DIMENSIONS & WEIGHT

Appliance Dimensions (H x W x D) (in.)	34 3/8" x 23 7/8" x 23 5/8"
Required Cutout Size (H x W x D) (in.)	34 1/2"–35 1/4" x 24" x 24"
Net / Gross Weight (lbs.)	140 / 151 lbs.

### EFFICIENCY

Annual Energy Consumption	155 kWh
---------------------------	---------

### WARRANTY

Limited, Entire Appliance, Parts and Labor on any Part of the Refrigerator that Fails Because of a Manufacturing Defect

2 Year

Limited Warranty for Sealed Refrigeration System\*\*; Parts and Labor

3rd to 6th Year

Limited Warranty for Sealed Refrigeration System\*; Parts Only

7th to 12th Year

\*Height adjustable + 1/2" (13 mm) with legs fully extended

\*\*Sealed refrigeration system includes compressor, evaporator, condenser, dryer / strainer and connection tubing



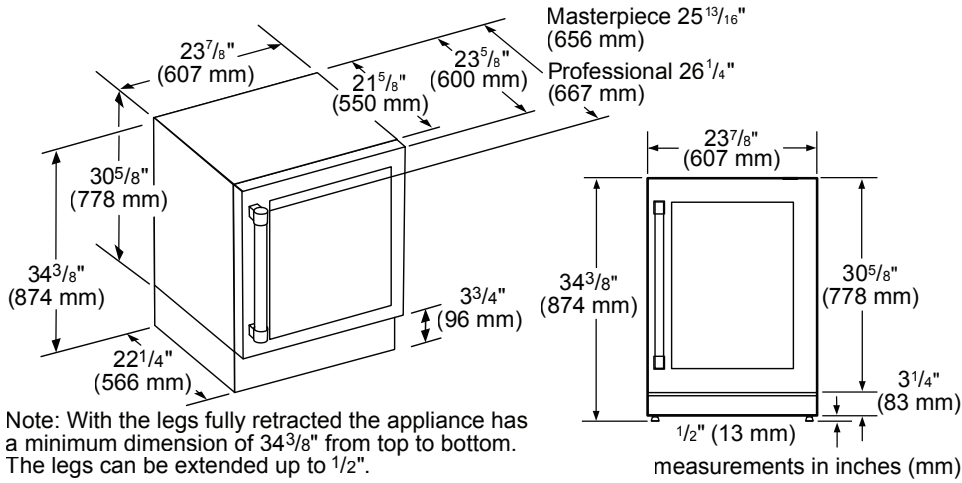
# T24UW915LS

## UNDER-COUNTER WINE RESERVE WITH GLASS DOOR

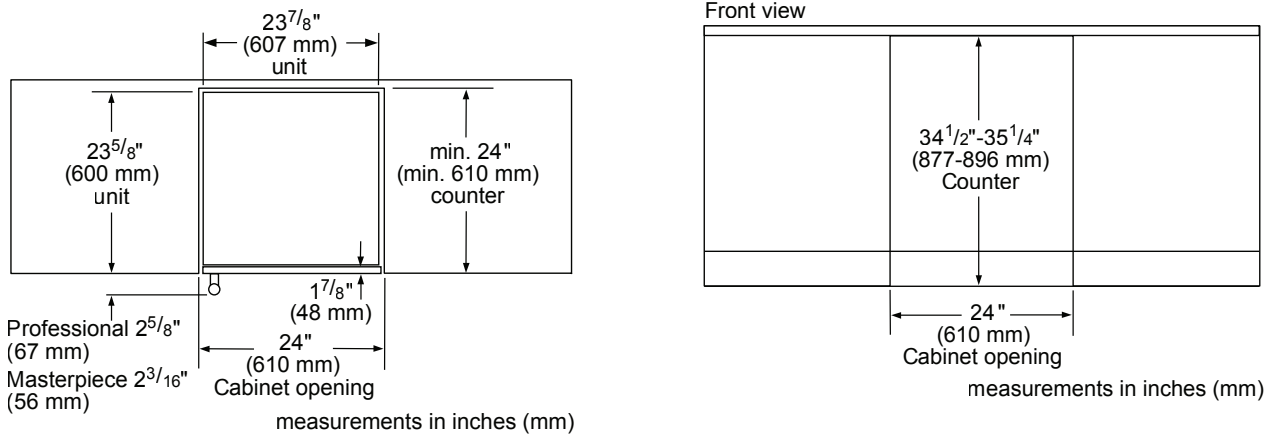
MASTERPIECE® SERIES HANDLE - LEFT HINGED



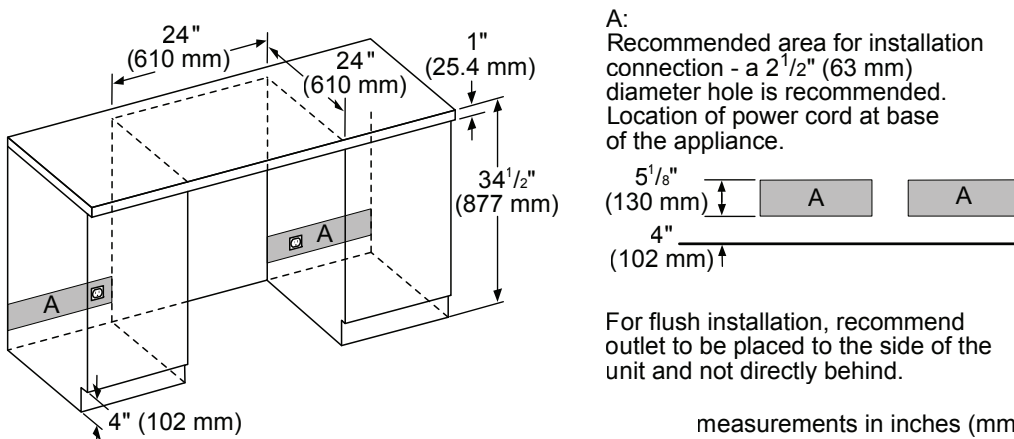
### GLASS DOOR WINE RESERVE PRODUCT DIMENSIONS



### GLASS DOOR WINE RESERVE CUTOUT DIMENSIONS



### GLASS DOOR WINE RESERVE CUTOUT DIMENSIONS & ELECTRICAL LOCATION



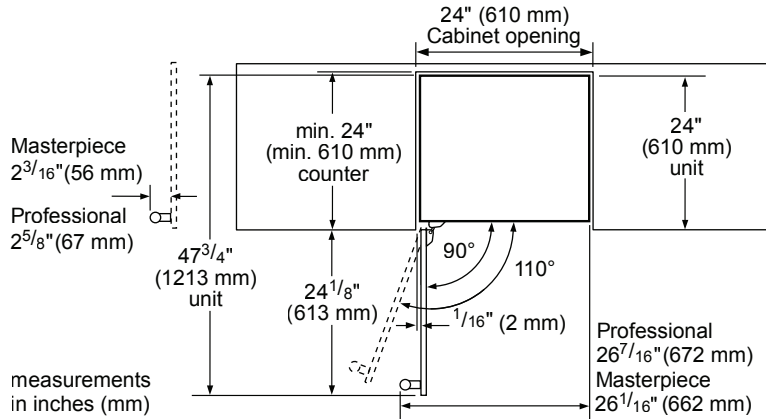
# T24UW915LS

## UNDER-COUNTER WINE RESERVE WITH GLASS DOOR

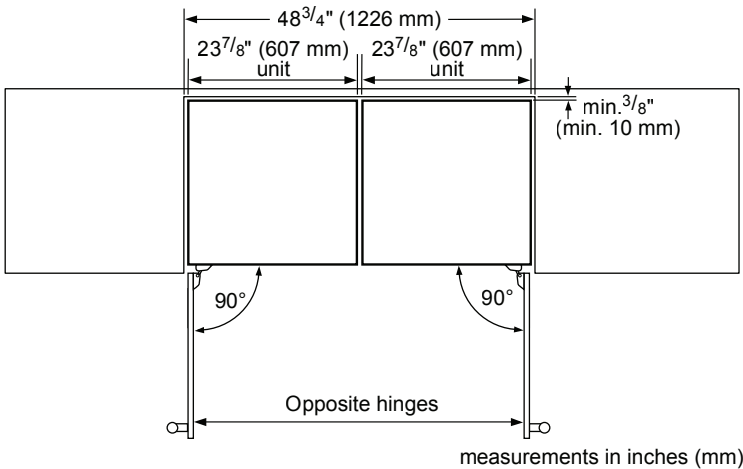
MASTERPIECE® SERIES HANDLE – LEFT HINGED



### GLASS DOOR WINE RESERVE CUTOUT & DOOR SWING DIMENSIONS

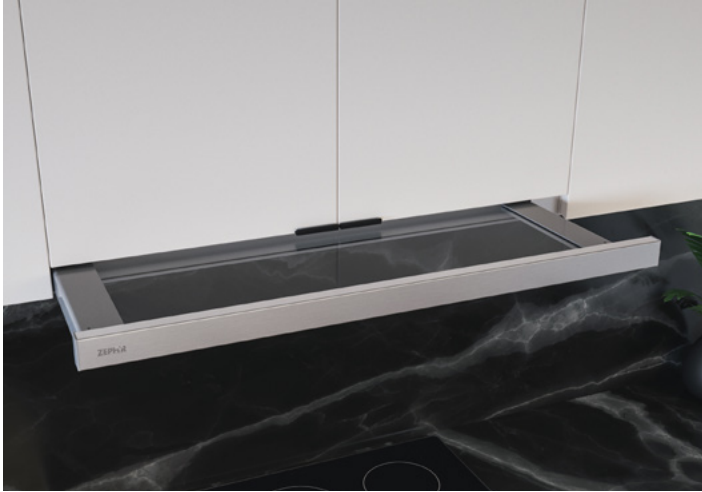


### GLASS DOOR WINE RESERVE SIDE-BY-SIDE INSTALLATION

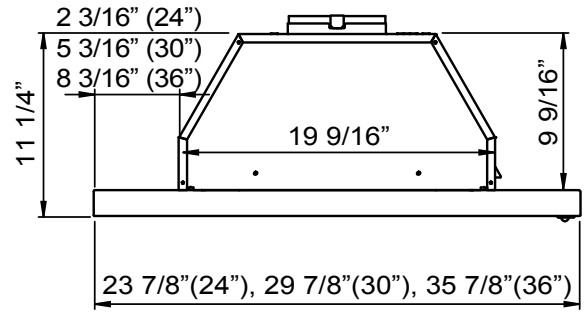


These warranties give you specific legal rights and you may have other rights that vary from state to state. Limited warranty from date of purchase. For complete warranty details, refer to your Use & Care manual, or ask your dealer.

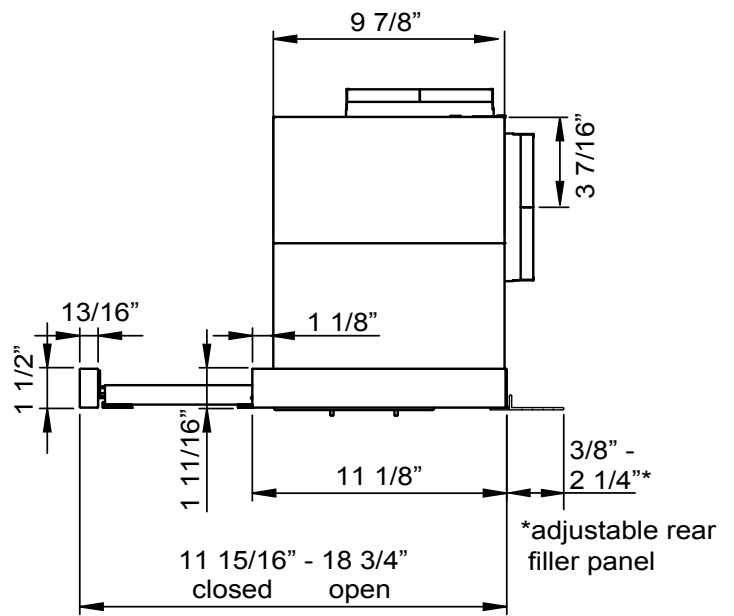
Specifications are for planning purposes only. Refer to installation instructions and consult your countertop supplier prior to making counter opening. Consult with a heating and ventilation engineer for your specific ventilation requirements. For the most detailed information, refer to installation instructions accompanying product or write to Thermador indicating the model number. Specifications are correct at time of printing. Thermador reserves the right to change product specifications or design without notice. Some models are certified for use in Canada. Thermador is not responsible for products that are transported from the U.S. for use in Canada.



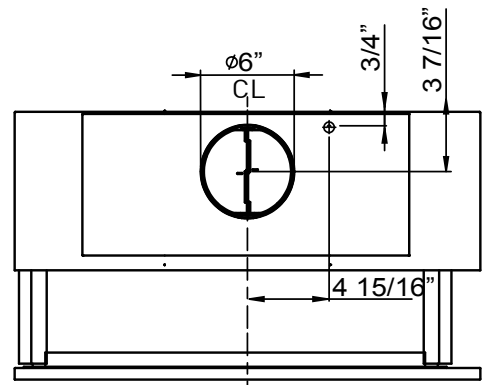
White trim



FRONT



SIDE

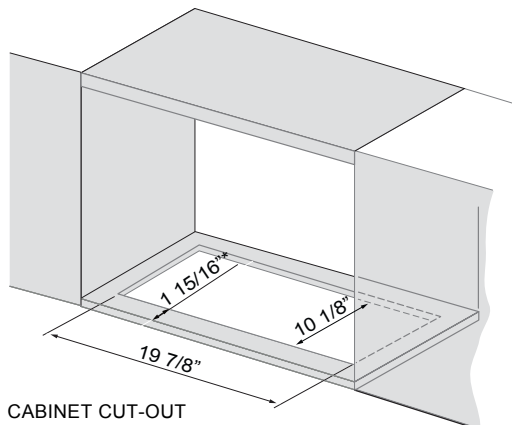


TOP

MODEL	ZPI-E24BG290	ZPI-E24BG ZPI-E24BW	ZPI-E30BG290 ZPI-E30BW290	ZPI-E30BG ZPI-E30BW	ZPI-E36BG290	ZPI-E36BG
Stainless Steel trim* w/ Glass White trim* w/ Glass						
<b>Size</b>	24"	24"	30"	30"	36"	36"
<b>Blower CFM (Min. - Max.)</b>	180 - 290	230 - 500	180 - 290	230 - 500	180 - 290	230 - 500
<b>Sones (Min. - Max.)</b>	1.3 - 3.2	1.7 - 5.3	1.3 - 3.2	1.7 - 5.3	1.3 - 3.2	1.7 - 5.3
<b>FEATURES</b>						
<b>Controls</b>	Mechanical Slide	Mechanical Slide	Mechanical Slide	Mechanical Slide	Mechanical Slide	Mechanical Slide
<b>Speed Levels</b>	3	3	3	3	3	3
<b>Auto Delay-Off</b>	No	No	No	No	No	No
<b>Lighting</b>	LumiLight LED, 6W x1	LumiLight LED, 6W x1	LumiLight LED, 6W x2	LumiLight LED, 6W x2	LumiLight LED, 6W x2	LumiLight LED, 6W x2
<b>Dual-Level Lighting</b>	Yes	Yes	Yes	Yes	Yes	Yes
<b>Filters</b>	Aluminum Mesh x1	Aluminum Mesh x1	Aluminum Mesh x1	Aluminum Mesh x1	Aluminum Mesh x1	Aluminum Mesh x1
<b>Recirculating Option</b>	Yes	Yes	Yes	Yes	Yes	Yes
<b>DUCT SPECIFICATIONS</b>						
<b>Vertical Internal Blower</b>	6" Round	6" Round	6" Round	6" Round	6" Round	6" Round
<b>Horizontal Internal Blower</b>	6" Round	6" Round	6" Round	6" Round	6" Round	6" Round
<b>AC POWER</b>	120V, 60Hz at Max. 2A	120V, 60Hz at Max. 3A	120V, 60Hz at Max. 2A	120V, 60H at Max. 3A	120V, 60Hz at Max. 2A	120V, 60Hz at Max. 3A
<b>OPTIONAL ACCESSORIES</b>						
<b>Recirculating Kit</b>	ZRC-00PI	ZRC-00PI	ZRC-00PI	ZRC-00PI	ZRC-00PI	ZRC-00PI
<b>MOUNTING HEIGHT RANGE**</b>						
<b>Electrical Cooktop</b>	20" - 32"	20" - 32"	20" - 32"	20" - 32"	20" - 32"	20" - 32"
<b>Gas Cooktop</b>	24" - 32"	24" - 32"	24" - 32"	24" - 32"	24" - 32"	24" - 32"
<b>WARRANTY</b>	3 years parts, 1 year labor	3 years parts, 1 year labor	3 years parts, 1 year labor	3 years parts, 1 year labor	3 years parts, 1 year labor	3 years parts, 1 year labor

\*Refers to handle color. Body is painted gray.

\*\*Mounting height refers to distance between top of a 36" tall cooking surface and bottom of hood.



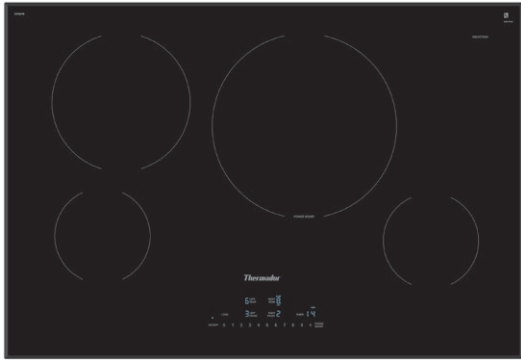
CABINET CUT-OUT

\*Measured from front of doors in a frameless cabinet  
or front of cabinet bottom in a framed cabinet.

# CIT304YB

## 30-INCH INDUCTION COOKTOP

MASTERPIECE® SERIES BLACK GLASS, FRAMELESS



### ALSO AVAILABLE:

CIT304YM - Silver Mirrored Finish, Frameless

### FEATURES & BENEFITS

- Powerful 3,700 W, 11" element for larger pots and pans
- Induction cooktops heat faster than traditional gas and electric cooktops
- PowerBoost® feature increases element power by up to 50%, saving time to heat up pots or cook large quantities
- Residual heat indicator shows what cooking zones are still hot
- Illuminated touch controls with 17 power settings is highly precise and allows for easy cleaning

### ACCESSORIES (OPTIONAL)



CHEFSPAN08  
10" Stainless Steel Pan

### GENERAL PROPERTIES

Controls	Touch Controls
----------	----------------

### ELEMENT PERFORMANCE

Power of Front Left Heating Element	1,400 W
Power of Front Left Heating Element (In Boost)	2,200 W
Power of Back Left Heating Element	2,200 W
Power of Back Left Heating Element (In Boost)	3,700 W
Power of Center Heating Element	N/A
Power of Center Heating Element (In Boost)	N/A
Power of Front Right Heating Element	1,400 W
Power of Front Right Heating Element (In Boost)	2,200 W
Power of Back Right Heating Element	2,600 W
Power of Back Right Heating Element (In Boost)	3,700 W
Burners With Booster	All 4

### ELEMENT SIZE

Dimension of Front Left Heating Element	6"
Dimension of Back Left Heating Element	9"
Dimension of Center Heating Element	N/A
Dimension of Back Right Heating Element	11"
Dimension of Front Right Heating Element	6"

### TECHNICAL DETAILS

Watts (W)	7,200 W
Circuit Breaker (A)	30 A
Volts (V)	208 / 240 V
Frequency (Hz)	50 / 60 Hz
Plug Type	No Plug
Conduit	39" Flexible 3-Wire
Energy Source	Electric

### DIMENSIONS & WEIGHT

Overall Appliance Dimensions (HxWxD) (in)	3/8" + 3 7/8" x 31" x 21 1/4"
Required Cutout Size (HxWxD) (in)	3 7/8" x 28 3/4" x 19 7/8"
Minimum Distance From Counter Front (in)	2 1/2"
Minimum Distance From Rear Wall (in)	2 3/8"
Net Weight (lbs)	40 lbs

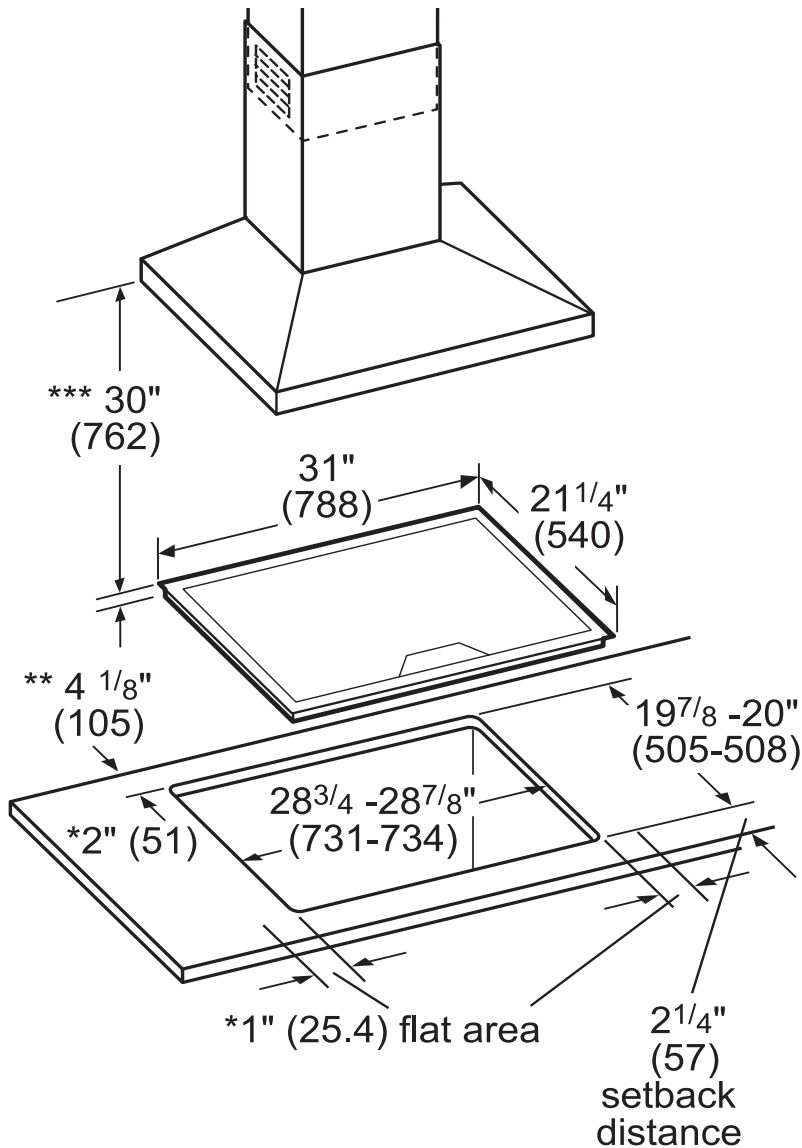
### WARRANTY

Limited Warranty, Entire Appliance, Parts and Labor	2 Year
---	--------

**CIT304YB**  
**30-INCH INDUCTION COOKTOP**  
 MASTERPIECE® SERIES BLACK GLASS, FRAMELESS



**30-INCH COOKTOP AND CUTOUT DIMENSIONS**



- \* Minimum distance from cutout to the wall
- \*\* Installed depth includes 1" (26 mm) needed air gap
- \*\*\* Minimum distance between the cooktop surface and lower edge of exhaust hood

measurements in inches (mm in brackets)

**NOTE:** The work surface should be horizontal and level. The stability of the countertop should be confirmed even after making the cutout.

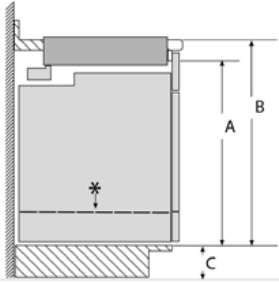
# CIT304YB

## 30-INCH INDUCTION COOKTOP

MASTERPIECE® SERIES BLACK GLASS, FRAMELESS



### INSTALLATION ABOVE A THERMADOR WALL OVEN

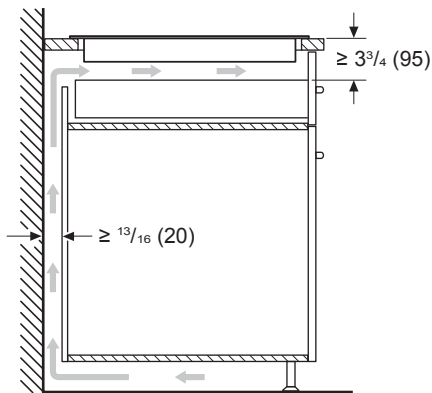


Product Type	A Inches (mm)	B min. Inches (mm)	C max. Inches (mm)
Conventional Oven	28 1/4 (718)	31 1/4 (794) min.	4 3/4 (121)
Steam Oven	25 1/16 (636)	28 1/16 (713)	7 15/16 (202)
Steam Oven with 4" Storage Drawer*	28 1/4 (718)	31 1/4 (794) min.	4 3/4 (121)
Microwave / Speed Oven	19 1/4 (488)	24 (609) min.	12" (306)
Microwave / Speed Oven with Warming drawer*	28 1/4 (718)	31 1/4 (794) min.	4 3/4 (121)

When installing an oven or oven with a drawer in combination with a cooktop, a minimum distance between the cabinet floor and countertop (B) is required. Reference the table for dimensions. Refer to the oven installation guide for all other measurements.

### VENTILATION CLEARANCE REQUIREMENTS

Measurements in inches (mm)



These warranties give you specific legal rights and you may have other rights that vary from state to state. Full warranty and limited warranty from date of installation. For complete warranty details, refer to your Use & Care manual, or ask your dealer.

Specifications are for planning purposes only. Refer to installation instructions and consult your countertop supplier prior to making counter opening. Consult with a heating and ventilation engineer for your specific ventilation requirements. For the most detailed information, refer to installation instructions accompanying product or write to Thermador indicating the model number. Specifications are correct at time of printing. Thermador reserves the right to change product specifications or design without notice. Some models are certified for use in Canada. Thermador is not responsible for products that are transported from the U.S. for use in Canada.

# DWHD650WPR

## EMERALD® 6-PROGRAM DISHWASHER

CUSTOM PANEL



Home Connect

Also Available In:

DWHD650WFP – Flat Stainless Steel Panel with Professional Series Handle

DWHD650WFM – Flat Stainless Steel Panel with Masterpiece® Series Handle

### FEATURES & BENEFITS

- Chef's Tool Drawer (3rd Rack) is designed to make loading and unloading tools and hard to place items extraordinarily easier
- Sens-A-Wash® measures water cleanliness and adjusts wash cycle
- Three stage advanced filtration recirculates water for sparkling results
- 3-Level adjustable upper rack is customizable for all of your needs, designed to be raised for extra large items placed on the bottom rack, or lowered to fit taller wine glasses on the upper rack
- Extra Dry Option adds extra heat to the final rinse to enhance drying results
- Impressively Quiet® — 48 dBA for peaceful kitchen experience
- Thermador Connected Experience by Home Connect brings exclusive dish features that keep you connected. Always.

### ACCESSORIES (OPTIONAL)

Dishwasher Supply and Drainage Hose Extension 76 3/4"	SGZ1010UC
Dishwasher Accessory Kit	SMZ5000
Fine Silverware Carafe	SMZ5002UC
Junction Box	SMZPCJB1UC



Accessory Kit includes Extra-Tall-Item Sprinkler, Vase / Bottle Holder, 3 Plastic Item Clips and Small Item Basket



Fine Silverware Carafe

### GENERAL PROPERTIES

Number Of Wash Cycles	6
Number Of Options	5
dBA	48
Third Rack	Chef's Tool Drawer®
Rack Adjustability	Rackmatic 3-Stage
Tub Material	Stainless Steel
Control Type	Touch Control
Concealed Water Heating Element	Yes
Leak Protection System	24/7 AquaStop®
Water Softener	No
Five-Level Wash	Yes
Childlock	No
Home Connect (Wi-Fi Enabled)	Yes

### EFFICIENCY

Water Usage Per Cycle (g)	3.5 g
Energy Efficiency Class	Tier 1
ENERGY STAR® Certified	Yes
Total Annual Energy Consumption (kWh)	269 kWh
Total Annual Water Consumption (g)	624 g

### CAPACITY

Number Of Place Settings	16
--------------------------	----

### TECHNICAL DETAILS

Watts (W)	1,440 W
Current (A)	12 A
Volts (V)	120 V
Frequency (Hz)	60 Hz
Power Cord Length (in)	67"
Power Cord Install Length from Corner of Unit when Facing the Door (in)*	Left - 45" Right - 56"
Minimum Water Pressure (lb/sin)	14
Max. Temperature for Water Intake	140° F
Length Inlet Hose (in)	N/A
Length Outlet Hose (in)	79"

### DIMENSIONS & WEIGHT

Overall Appliance Dimensions (HxWxD) (in)	33 7/8" x 23 9/16" x 23 1/16"
Required Cutout Size (HxWxD) (in)	33 7/8" Min. x 23 5/8" Min. x 24"
Adjustable Feet	Yes
Net Weight (lbs)	88 lbs

\*September 2020 running production change to remove adhesive routing clips for power cord. These clips and the edge protector are now included in the dishwasher accessory kit #SMZEPC1UC.



# DWHD650WPR

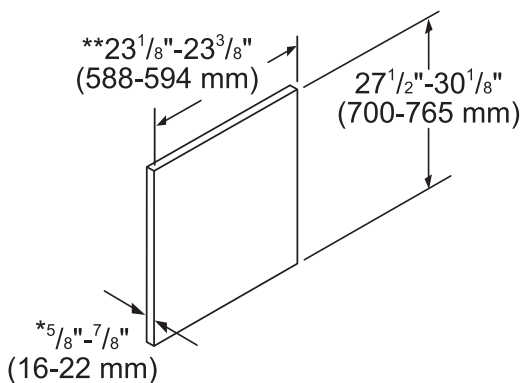
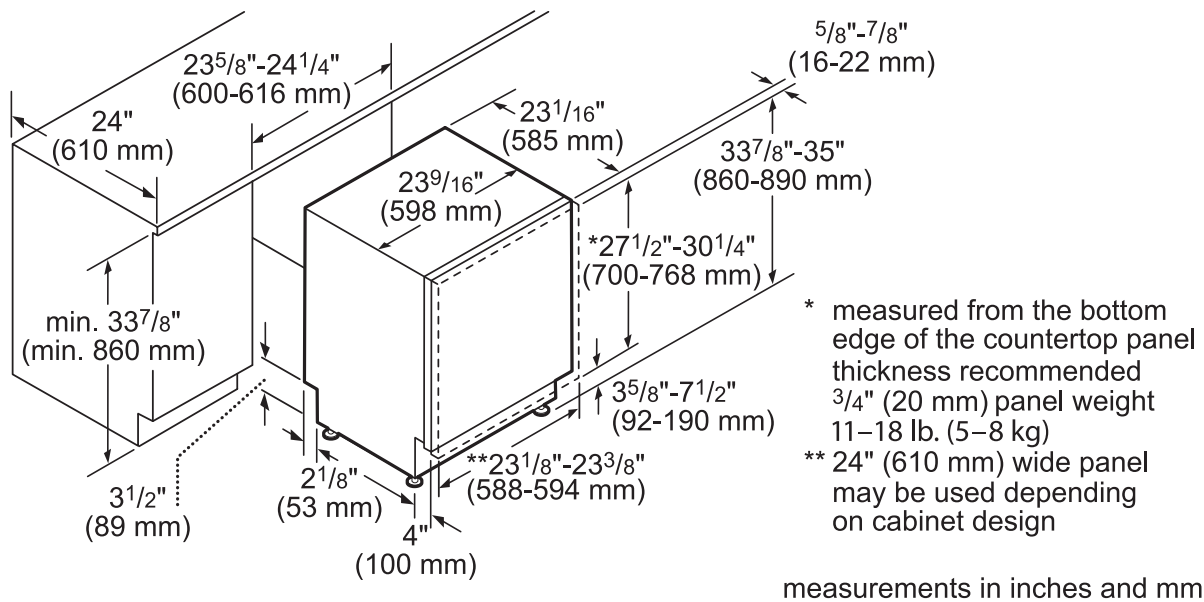
## EMERALD® 6-PROGRAM DISHWASHER

CUSTOM PANEL



WARRANTY	
Limited Warranty, Entire Appliance, Parts and Labor	2 Year
Limited Warranty for Microprocessor or Printed Circuit Board; Parts Only	3rd to 5th Year
Limited Warranty for Racks (Does Not Include Rack Components); Parts Only	3rd to 5th Year
Limited Warranty for Rust-through On Inner Tub Liner; Parts Only	Lifetime

### DISHWASHER & CUTOUT DIMENSIONS



- \* thickness recommended 3/4" (20 mm), panel weight 11-18 lb. (5-8 kg)
- \*\* 24" (610 mm) wide panel may be used depending on cabinet design

measurements in inches and mm

These warranties give you specific legal rights and you may have other rights that vary from state to state. Full warranty and limited warranty from date of installation. For complete warranty details, refer to your Use & Care manual, or ask your dealer.

Specifications are for planning purposes only. Refer to installation instructions and consult your countertop supplier prior to making counter opening. Consult with a heating and ventilation engineer for your specific ventilation requirements. For the most detailed information, refer to installation instructions accompanying product or write to Thermador indicating the model number. Specifications are correct at time of printing. Thermador reserves the right to change product specifications or design without notice. Some models are certified for use in Canada. Thermador is not responsible for products that are transported from the U.S. for use in Canada.

06

# COUNTERS & BACKSPLASHES

# KITCHEN COUNTERTOP & BACKSPLASH MATERIAL

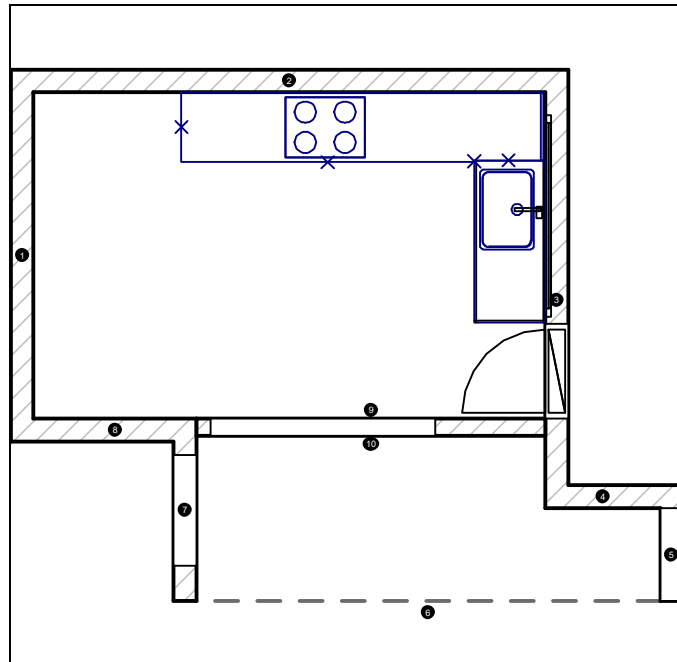
NEOLITH

The New Classtone / Strata Argentum



This neutral-colored model, with fine horizontal veining in light grey tones, reproduces the different layers of Italian Silver Travertine. The end design is an ultra-realistic texture that captures the elegance of the material in its purest state.

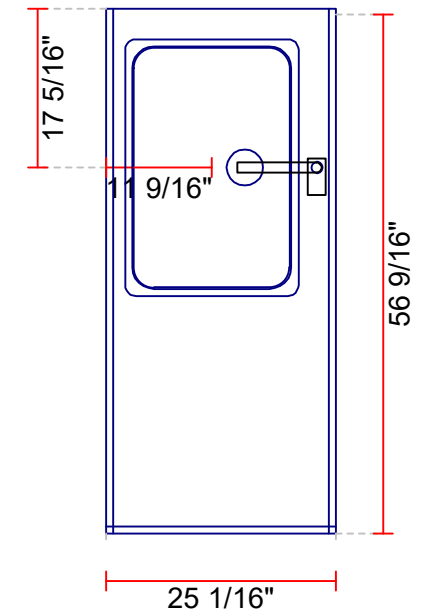
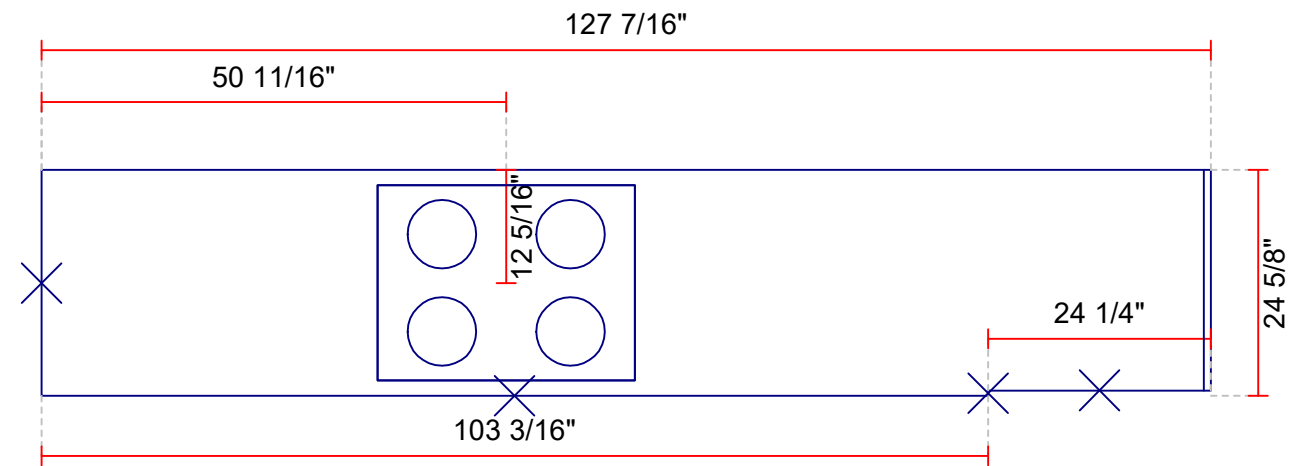




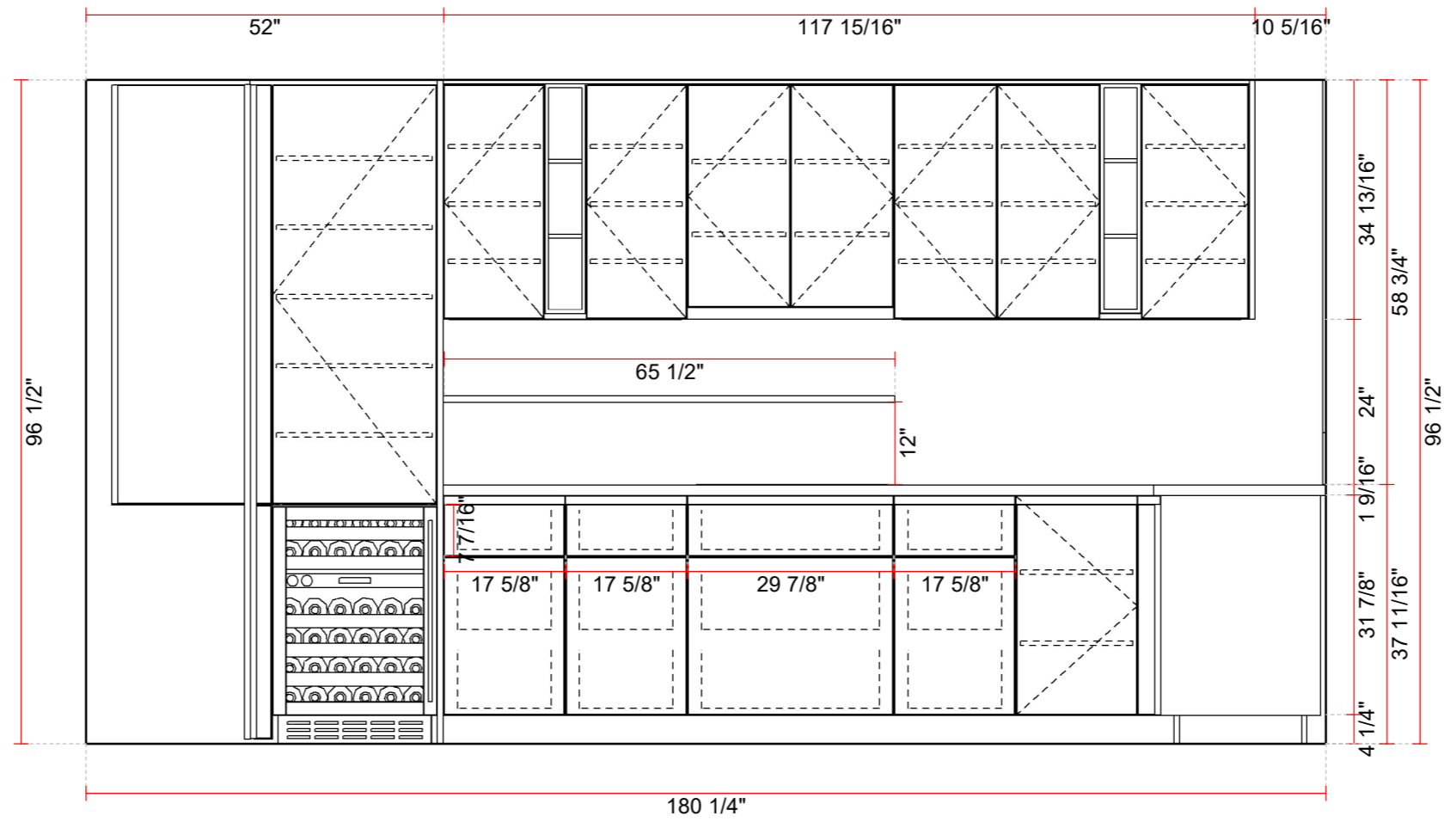
Edge Symbols:  
 — Edge moulding

ARTEZIA Design Studio  
 10 Arkansas Street  
 Suite A  
 San Francisco 94107

Telephone: 415 770 1013  
 E-Mail: info@artezia.com



COUNTERTOP SCHEME LAYOUT



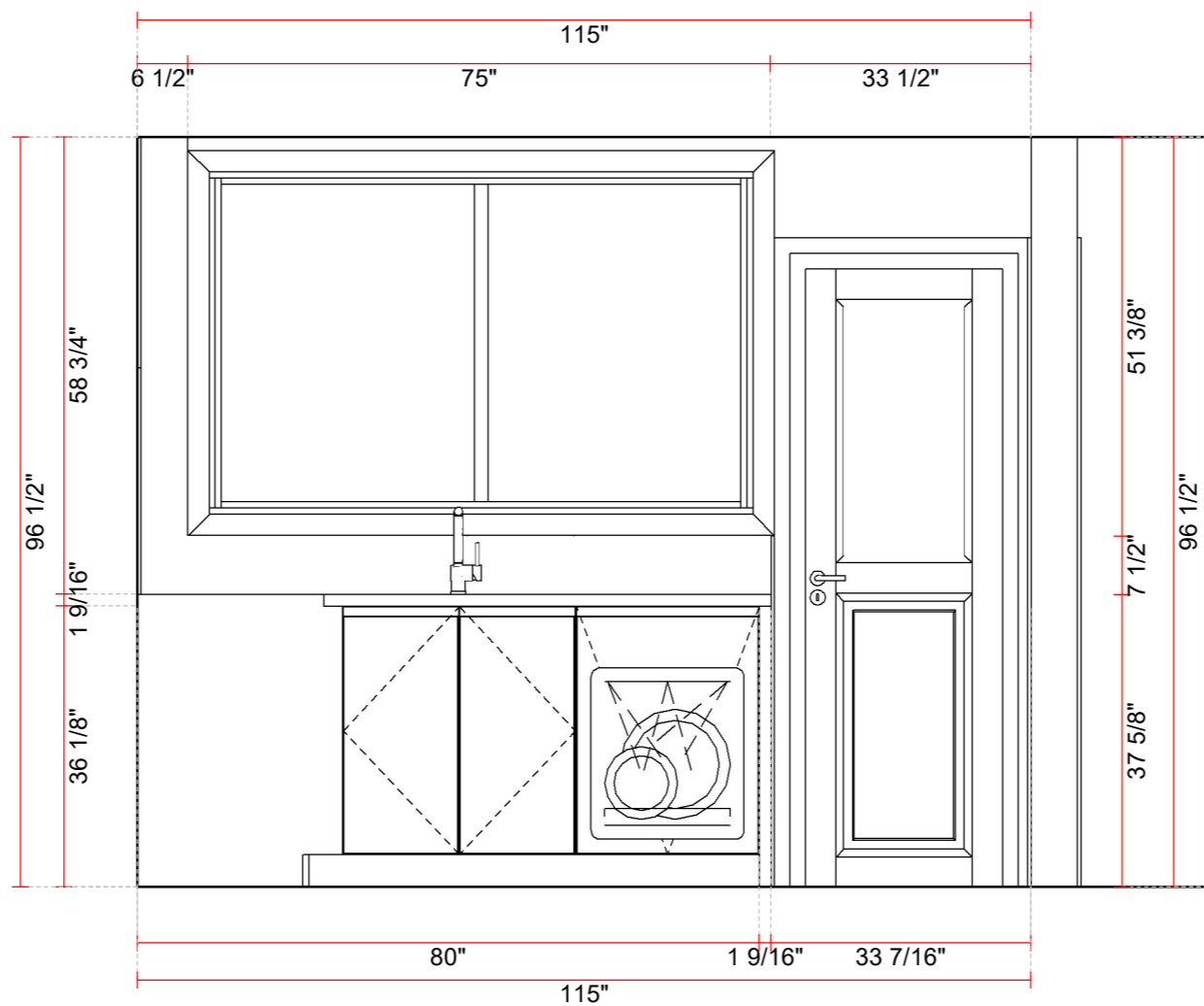
SOUTH WALL - TILE SCHEME LAYOUT

All measures are taken from the completed floor height

Scale: 1/2" = 1'-0" (A3)



ARTEZIA Design Studio  
 10 Arkansas Street  
 Suite A  
 San Francisco 94107  
 Telephone: 415 770 1013  
 E-Mail: info@artezia.com



WEST WALL - TILE SCHEME LAYOUT

All measures are taken from the completed floor height

Scale: 1/2" = 1'-0" (A3)

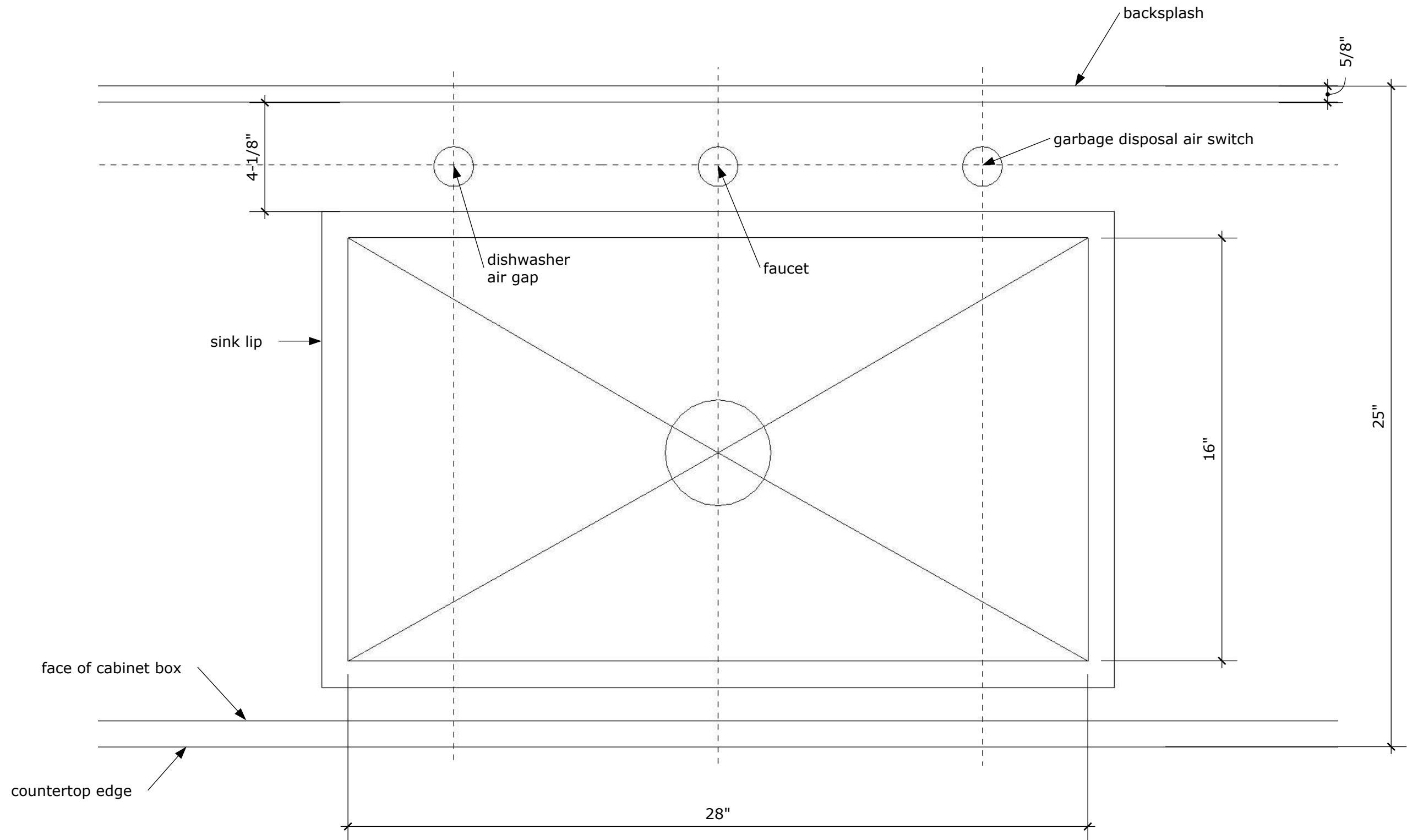


ARTEZIA Design Studio  
 10 Arkansas Street  
 Suite A  
 San Francisco 94107  
 Telephone: 415 770 1013  
 E-Mail: info@artezia.com



**Designer**  
Daniel Leffler  
Tako Design Studios  
10 Arkansas Street  
San Francisco, CA 94107  
Tel: 415.573.8943  
Drawn January 30, 2023

1 —————  
3" = 1'0"



**Sheet A1.0**  
(P) Sink Layout

**Issues**  
Working Sketches

**A2.0**

07

# PLUMBING FIXTURES





## Sink Specifications

Color	SKU
White	442533
Anthracite	442534
Metallic Gray	442536
Café	442537
Cinder	442530
Truffle	442531
Coal Black	442931

## PRECIS 30 SILGRANIT



## Design and Planning Tips

- Min cabinet size: 33 in
- Bowl depth: 9.5 in ( 240.0 mm )

What is included:  
Installation instructions  
Cut-out template  
Limited Lifetime Warranty

Depending on cabinet construction, a different cabinet size may be required. Consult the cabinet manufacturer.

Cubed weight: 39 lbs.

## Optional Accessories

Sink Grid	236593
Sink Grid	233542
CapFlow Strainer Cover	517666
Undermount Clips	440851

---

### Warranty

BLANCO offers a limited lifetime warranty on all sinks and faucets, as well as a one-year warranty on all custom accessories.

### Code/Standards Compliance

BLANCO sinks and faucets are third-party tested and certified to standards and listed by applicable certification bodies. For more information on individual product listings, contact our office or listing organization.



View our how-to videos to learn more about installing and caring for BLANCO products:  
<https://www.blanco.com/us-en/service/how-to-videos/how-to-videos-for-sinks/>

Questions? Contact us today



BLANCO America, Inc.  
110 Mount Holly By-Pass  
Lumberton, NJ 08048

Phone & Fax  
Phone: 888-668-6201  
Fax: 609-668-6211

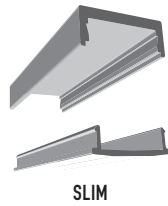
---

While BLANCO endeavors to provide accurate information, all dimensions are nominal, cannot be guaranteed, and are subject to change or cancellation. BLANCO assumes no responsibility for use of superseded or voided specifications.

08

# OTHER MATERIALS

# SPECIFICATION SHEET



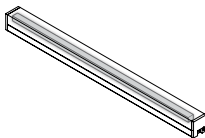
## OVERVIEW

Bundle Channels are ready for loading tape light in the field. These channels protect indoor LED tape light by providing a rigid, dust proof housing that can be mounted on virtually any flat surface. These channels are sold in 48 inch bundles and help create sleek, completely customized LED tape lighting installations.

*Bundle Channels are not available in the Custom Fully Loaded Channel program. For Fully Loaded options see the 'Builder Channels' Specification Sheet.*

## FEATURES & BENEFITS

- Industrial extrusions for custom lighting
- Bundles include: channel, lens, mounting clips, and end caps (mounting clips for surface & suspended mount channels only)
- Channels act as a heat sink, cooling and prolonging the LED tape light lifespan
- Provides additional defense from dust and debris, protecting the LED investment
- 5-Year Warranty



**PREMIUM DIFFUSED OPTIONS**  
*Channels listed below eliminate LED hotspots by creating totally diffused linear light when paired with compatible tape light. See pg. 7 for compatible tape lights.*

**20mm SQUARE CORNER**  
**20mm ROUNDED CORNER**  
**SCONCE**

## FINISHES



Aluminum

Item #	
Project	

## SPECIFICATIONS

- Material: Aluminum
- Finish: Clear anodized aluminum
- Mounting Clip Material: Steel
- End Cap Material: PVC
- Cover Material: Polycarbonate
- Field Cuttable: Yes
- Mounting: Clips included. Additional clips available
- Dimensions: See Mechanical Diagrams
- Warranty: 5 years

### Environmental Requirements

- Suitable for indoor dry/damp location use

### Compliance & Regulatory Approvals

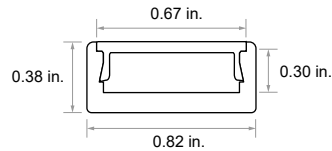
- Meets the following certifications when installed with compatible UL Listed tape light:

UL Listed 2108. UL 1598 / CSA 250.0-08, UL 8750. UL 879 / CAN/CSA-C22.2 no. 207-M89. E469769 (UL Listed), E469770 (SAME Manual). 12V models are suitable for installation in a clothes closet.

## SLIM CHANNEL

### TAPE LIGHT COMPATIBILITY:

BLAZE™ DAZZLE® RGB  
 BLAZE™ X DAZZLE® RGBW  
 VALENT® X DAZZLE® RGBW 4D



SKU	OPTION	INCLUDES
DI-CPCHB-SL-48	48 in. Bundle	<ul style="list-style-type: none"> <li>• 48 in. channel &amp; frosted cover</li> <li>• 2x mounting clips with screws</li> <li>• End caps: 1x open, 1x closed.</li> </ul>
DI-CPCHB-SL-96	96 in. Bundle	<ul style="list-style-type: none"> <li>• 96 in. channel &amp; frosted cover</li> <li>• 4x mounting clips with screws</li> <li>• End caps: 2x open, 2x closed.</li> </ul>

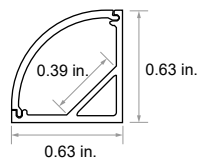
\* to be used in the kitchen

## CHANNEL BUNDLE 10mm ROUNDED CORNER

10mm Rounded Corner Channel

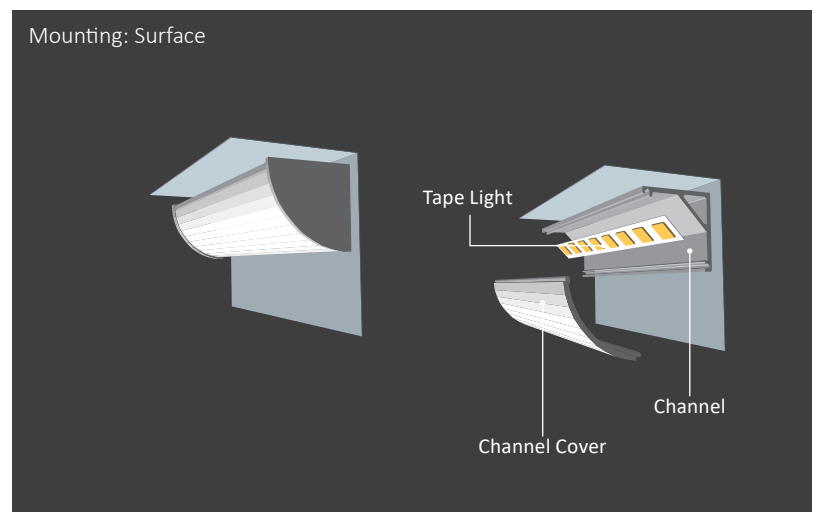
### TAPE LIGHT COMPATIBILITY:

BLAZE™  
 BLAZE™ X



\*Soldered lead only

SKU	PRODUCT INCLUDES
DI-CPCHB-RC10-48	<ul style="list-style-type: none"> <li>• 48 in. channel &amp; frosted cover</li> <li>• End-caps: 1x open, 1x closed</li> <li>• Mounting hardware</li> </ul>
DI-CPCHB-RC10-96	<ul style="list-style-type: none"> <li>• 96 in. channel &amp; frosted cover</li> <li>• End-caps: 2x open, 2x closed</li> <li>• Mounting hardware</li> </ul>
DI-CPCHB-RC10-ACC	<ul style="list-style-type: none"> <li>• End caps: 2x open, 2x closed</li> <li>• 4x surface mounting clips</li> </ul>



\* to be used in the office ARNIA cabinet

## ADDITIONAL RESOURCES

**BUILDER CHANNELS SPEC SHEET**

**ALUMINUM CHANNEL INSTALL GUIDE**

**VERTICAL MOUNTING BRACKET INSTALL GUIDE**

**LOW VOLTAGE TAPE LIGHT SPECIFICATION SHEETS**

**LOW VOLTAGE LED TAPE LIGHT INSTALL GUIDE**

**VALENT® X SPEC SHEET**

## SAFETY / WARNINGS / DISCLOSURES

1. Install in accordance with national and local electrical code regulations.
2. Do not modify or disassemble this product beyond instructions or the warranty will be void.
3. Mixing and matching finished hardware and accessories can result in loose or tight fit assemblies. We strongly recommend matching hardware and endcaps to the channel finish selected.
4. Actual color may vary from what is pictured on this sheet and other print materials due to the limitations of photographic processes.
5. We reserve the right to modify and improve the design of our fixtures without prior notice. We cannot guarantee to match existing installed fixtures for subsequent orders or replacements in regards to product appearance, CCT, or lumen output.

## WARRANTY

### Limited Warranty

This product has a five (5) year limited warranty from the date of shipment. This warranty does not include the additional accessories referenced in this specification sheet. Complete warranty details for fixtures and additional accessories are available at [www.diodeled.com/limited-warranty/](http://www.diodeled.com/limited-warranty/) within the Policies section. For warranty related questions please contact product support.

### Consumer's Acknowledgment

Elemental LED, Inc. stands behind its products when they are used properly and according to our specifications. By purchasing our products, the purchaser agrees and acknowledges that lighting design, configuration and installation is a complex process, wherein seemingly minor factors or changes in layout and infield adjustments can have a significant impact on an entire system. Choosing the correct components is essential. Elemental LED is able to work with the original purchaser to make an appropriate product selection to the extent of the limited information that the customer can provide, but it is virtually impossible for Elemental LED to design a system that foresees every unknown factor. For this reason, this Warranty does not cover problems caused by improper design, configuration or installation issues. Any statement from a Elemental LED employee or agent regarding a customer's bill of goods and/or purchase order is NOT an acknowledgment that the products purchased are designed and configured correctly. The purchase agrees and acknowledges that it is the customer's responsibility to adhere strictly to all information contained in the Product Specification Sheets.

There is often more than one way to design, configure and layout an LED lighting application properly to achieve the same lighting effect. Elemental LED strongly recommends that licensed professionals be used in the design and installation of lighting systems that include Elemental LED products. The specifications include important information that a designer and installer should carefully review and strictly follow. Qualified designers and certified and/or licensed installers, with access to the final installation environment, customer goals, and Elemental LED product specifications can make the requisite decisions appropriate for a successful finished lighting application.



09

# CARE & MAINTENANCE

# INSTRUCTIONS FOR CLEANING OF FURNITURE

---

## **STRUCTURE, LAMINATE, TECH, FENIX**

Clean the surface with a clean towel and non-aggressive liquid detergent diluted in water, or with alcohol diluted in water. Dry with a soft and dry towel.

**Do not use:** powders / abrasive sponges or pumice, chlorine-based products, lye or solvents.

**Advices:** don't go over the edges with products containing diluents or acetone since they could permanently deform them.

## **MATTE LACQUERED**

Clean the surface with a clean towel and non-aggressive liquid window cleaner diluted in water, or with alcohol diluted in water. Dry with a soft and dry towel.

**Do not use:** powders / abrasive sponges or pumice, ammonia-based products, acetone and furniture wax, lye or solvents.

**Advices:** keeping the surfaces away from the light is recommended. It's possible that the towel can be slightly colored after the first cleanings. This phenomenon won't happen again once the dust made from the drying process is eliminated.

## **WOOD**

Clean the surface with a clean towel and non-aggressive liquid detergent diluted in water, or with a soft moistened towel and, possibly, with water and a small part of soap, using a neutral soap; after that, the surface has to be washed with a soft towel and dried, or with diluted alcohol. Dry with a soft and dry towel.

**Do not use:** powders / abrasive sponges, alkaline or abrasive detergents, chlorine-based products, acetone and furniture wax, lye or solvents.

**Advices:** keeping the surfaces away from the light is recommended. The wood is protected with an acrylic paint that must not be scratched or stressed with high temperatures.

## **GLOSSY LACQUERED, 4.0 METAL**

Clean the surface with a clean towel and non-aggressive liquid window cleaner diluted in water, or with alcohol diluted in water. Dry with a soft and dry towel.

**Do not use:** powders / abrasive sponges or pumice, ammonia-based products, acetone and furniture wax, lye or solvents.

## **RESIN**

Clean the surface with a clean towel and warm water, or with window cleaner. Dry with a soft and dry towel.

**Do not use:** powders / abrasive sponges, alkaline or abrasive detergents, chlorine-based products, acetone and furniture wax, lye or solvents.

**Advices:** Do not leave the surface dirty for longer than 6 hours.

## **STEEL**

Clean the surface with product specifically made for inox steel. if the stains persist use warm vinegar. For hard water stains use warm water and baking soda. Always clean along the satin finish sense.

**Do not use:** powders / abrasive sponges, metallic sponges, chlorine-based products, bleach, muriatic acid.

**Advices:** pay extreme attention when removing the protecting film. Do not stock detergent or chemicals under the surface. Always use a trivet and never leave lighted cigarettes or rusty objects on the worktop.

## **QUARTZ**

Clean the surface with a sponge and running water, in case of stubborn dirt wash with neutral detergent and always rewash.

**Do not use:** sulphuric acid, acetone or paint removal products, hydrofluoric acid, lye and chloroform.

**Advices:** for the daily cleaning the using of steam jets is discouraged, always use a trivet and thermal screens in the presence of heated pans.

## **GRES**

Clean the surface with a sponge and neutral detergents. Dry with a soft and dry towel.

**Advices:** for the special cleaning of the surface the use of turpentine or anti-scale products. In case of light stains it's possible to use an eraser.

## **STONE WORKTOPS**

Clean the surface with cloth or a moist sponge.

**Do not use:** powders / abrasive sponges, metallic sponges, bleach and acid detergents.

**Advices:** coffee, lemon, wine (and similar) stains has to be removed immediately. Always use a trivet and never leave lighted cigarettes on the surface. For a good conservation of the worktop, periodically execute a liquid wax or marble water-repellent product treatment.